

POLANIK
Poland, Życzliwa 11
97-300 Piotrków Trybunalski

tel. +48 44 646 44 81
tel. +48 44 648 50 89
fax +48 44 646 43 58

e-mail: info@polanik.com
www.polanik.com



Instruction manual

Competition toe board Premium Line

S19-578



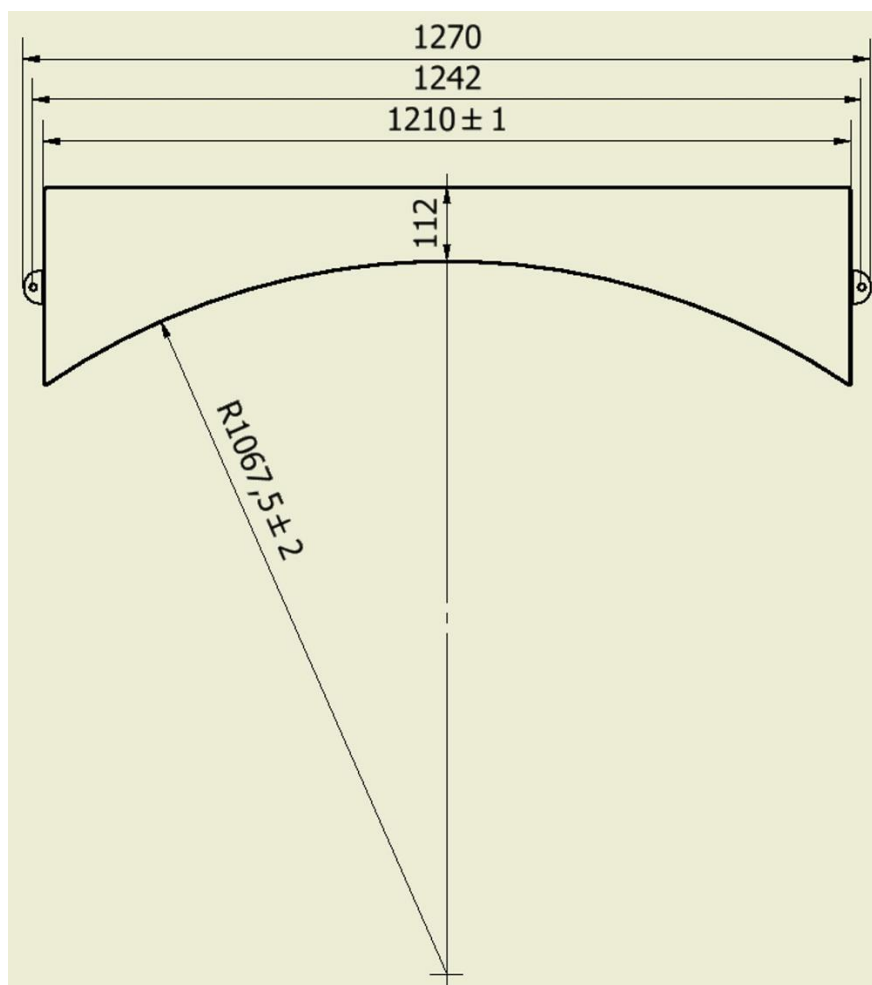
File: 2020-01-20
PRODUCT SUPPORT
Pawel Ciechanowski
p.ciechanowski@polanik.com

I. General description and use

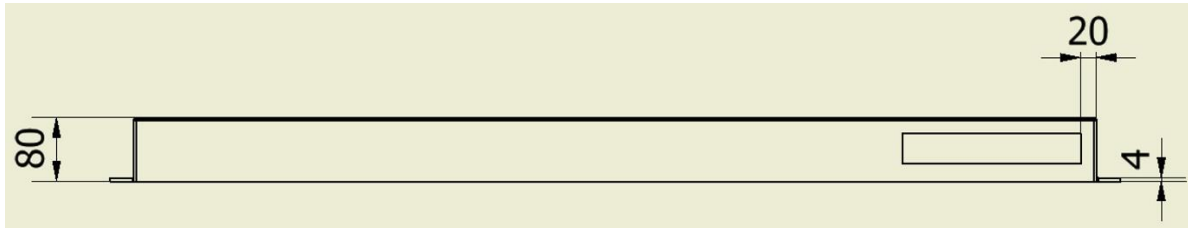
S19-578 is a stainless steel solid construction which is very resistant to impacts and unfavourable weather conditions. It is designed for mounting at the shot put throwing circle.

II. Technical specification

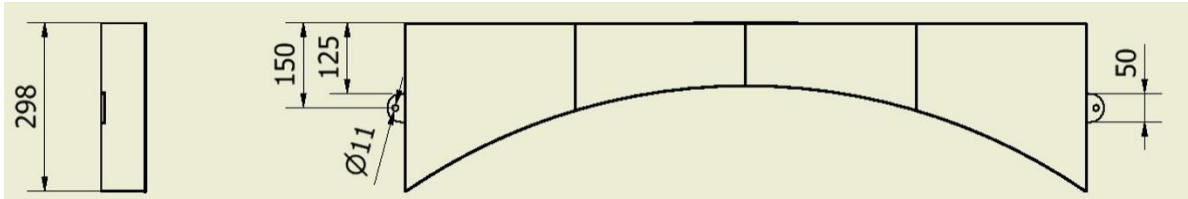
Code	S19-578
Board type	competition, certified, Premium Line
Construction	one-piece welded, stainless steel powder painted, reinforced with ribs
Installation	two fastening holes, bolts included
Weight [kg]	11



Top view [mm]



Side view from inside of the circle [mm]

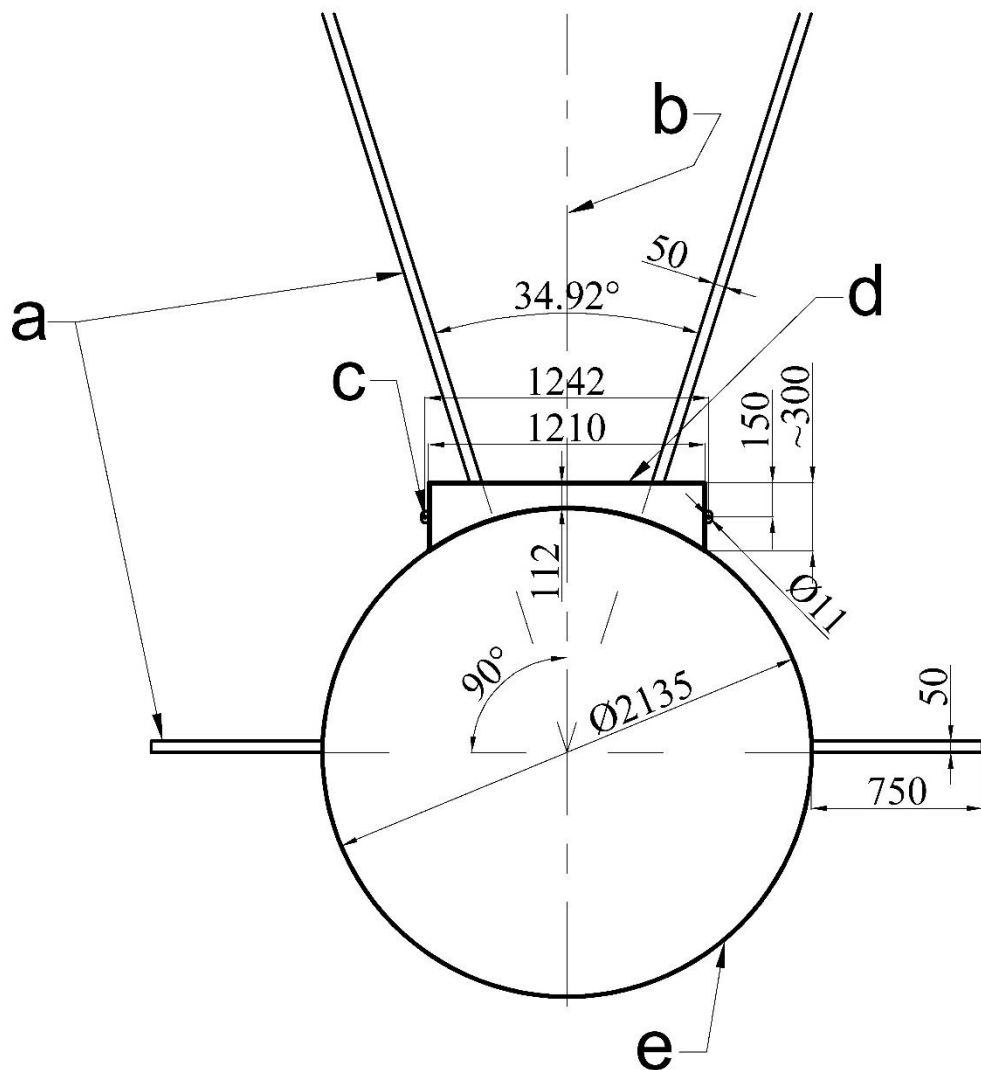


Bottom view [mm]

III. Installation in the field

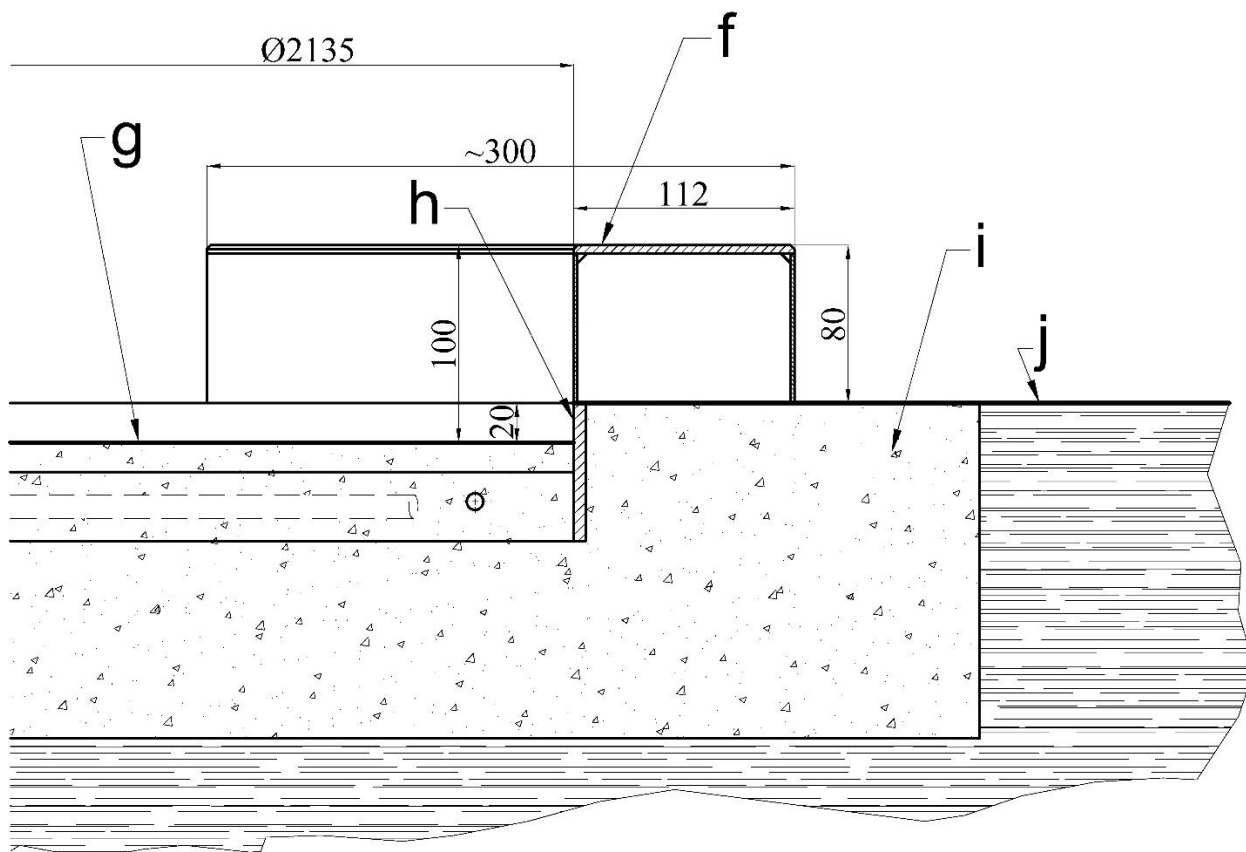
- a – white lines
- b – centre line
- c – mounting holes
- d – toe board
- e – circle rim

Top view
 [mm]



The drawings and all information included on it are copyrighted property of Polanik. Moreover, these contents may not be copied, republished, modified nor broadcasted in any form - in full or in part - without authorisation - in accordance with the act of copyright and related rights.

Cross section [mm]



- f – Premium Line toe board (cross section at centre line of landing sector)
- g – surface inside throwing circle
- h – circle rim
- i – concrete
- j – ground level

IV. Operation and maintenance

Defects in the white paint coating should be mended regularly.

V. Packing and transport

The toe board is packed in a carton box:

Dimensions [cm]	contents	1 toe board
	length	128
	width	31
	height	9
Volume [m ³]		0,036
Gross weight [kg]		11,50

VII. WA Certificate



PRODUCT CERTIFICATE

World Athletics is pleased to certify that the following product meets all the technical requirements of the World Athletics Rules for the relevant competitions.

Product's Trade Name:

Fixed equipment, Stop board, Shot Put, Premium Line

Description, Colour/Absolute Thickness:

Stainless steel, White

Company Name, Country:

Polanik Sp. z o. o. - Sp. K.

Catalogue Number:

S19-578

Certification Number:

E-20-1069

Test Report by and on:

-
Note:

Date of Issue:

1 April 2020

Date of Expiry:

April 2024

Issued in accordance with the terms and conditions of the World Athletics Certification System



Jon Ridgeon
World Athletics CEO

