

POLANIK
Poland, Życzliwa 11
97-300 Piotrków Trybunalski

tel. +48 44 646 44 81
tel. +48 44 648 50 89
fax +48 44 646 43 58

e-mail: info@polanik.com
www.polanik.com



USER MANUAL

Pole vault competition box with lowered edges

PVBOX18-S



File: 2022-11-04
PRODUCT SUPPORT
Paweł Ciechanowski
p.ciechanowski@polanik.com

1. General description and use

PVBOX18-S is a competition take-off box. It is designed for embedding into the athletics runway of the Pole Vault facility. The product main features are:

- high durability and manufacturing quality – made of stainless steel,
- universality – can be mounted outdoor and in halls,
- maintenance free – does not require any special maintenance proceedings.,
- complies with the latest safety IAAF requirements – lowered edges are covered with the synthetic surface of the runway, thanks to that when the box is blanked with the lid PVLID-S, which fits flush with the runway, an even surface is created with no metal elements on its top, and it can be safely used for training or conducting competitions.



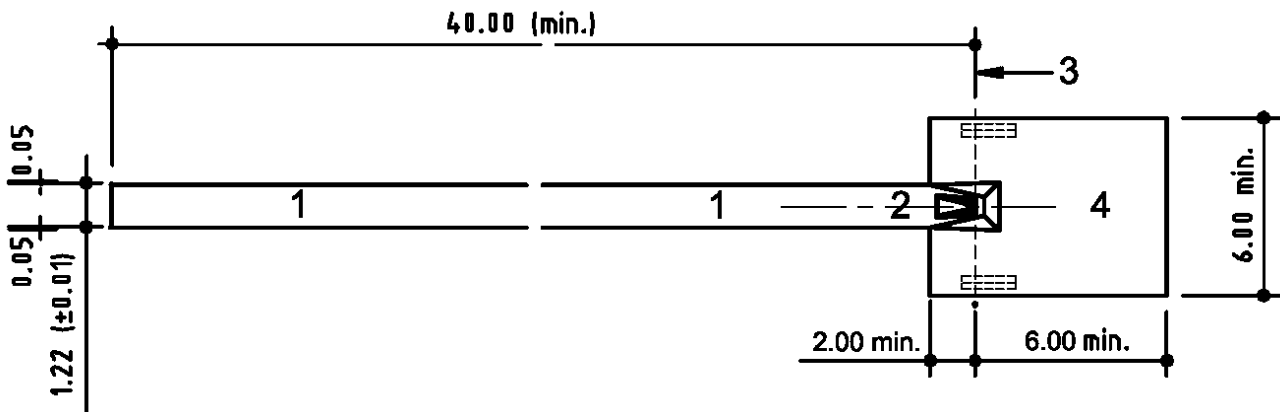
2. Technical specification

| | |
|---|--|
| Code | PVBOX18-S |
| Type | competition, certified, with lowered edges |
| Material | stainless steel |
| Drainage | elastic hose |
| Recommended thickness of synthetic surface [mm] | 13 |
| Net weight [kg] | 20 |

| | | |
|---------------------------|----------|------|
| Package's dimensions [m] | contents | 1 pc |
| | length L | 1,30 |
| | width B | 0,64 |
| | height H | 0,25 |
| Volume [m ³] | | 0,21 |
| Gross weight [kg] | | 21 |

3. Installation

PVBOX18-S is ready for embedding after delivery. It comes with a flexible hose with a metal clamping band. The band secures the hose on the drainage outlet of the box. According to the rules World Athletics (WA), the box (2) should be mounted in the distance of 40 metres measured from the beginning of the runway (1) to the 0-line (3) – the box edge nearest to the landing area (4) – see the drawing below.

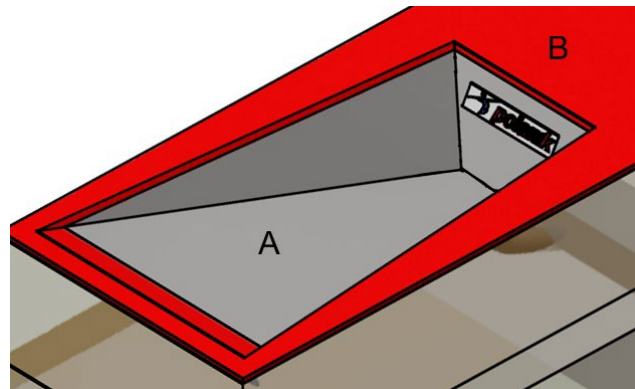


Drawing 1. Pole Vault runway, dimensions in [m]

Please note that the box has got the lowered edges which allows you to cover them with the target synthetic surface of the runway, so while embedding please make sure that the top surface of the box edges is 13 mm lower than the target level of the runway synthetic surface (see the drawings 2 and 3 below).

A – pole vault box

B – target synthetic surface of runway

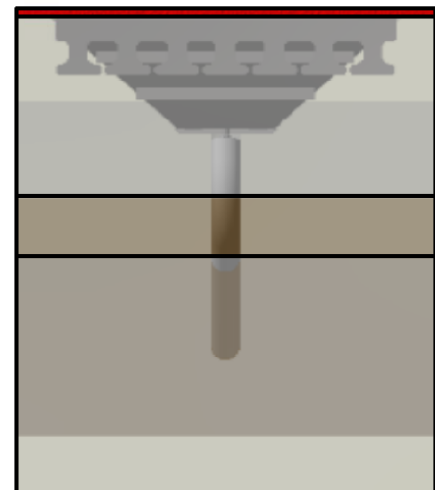


Drawing 2

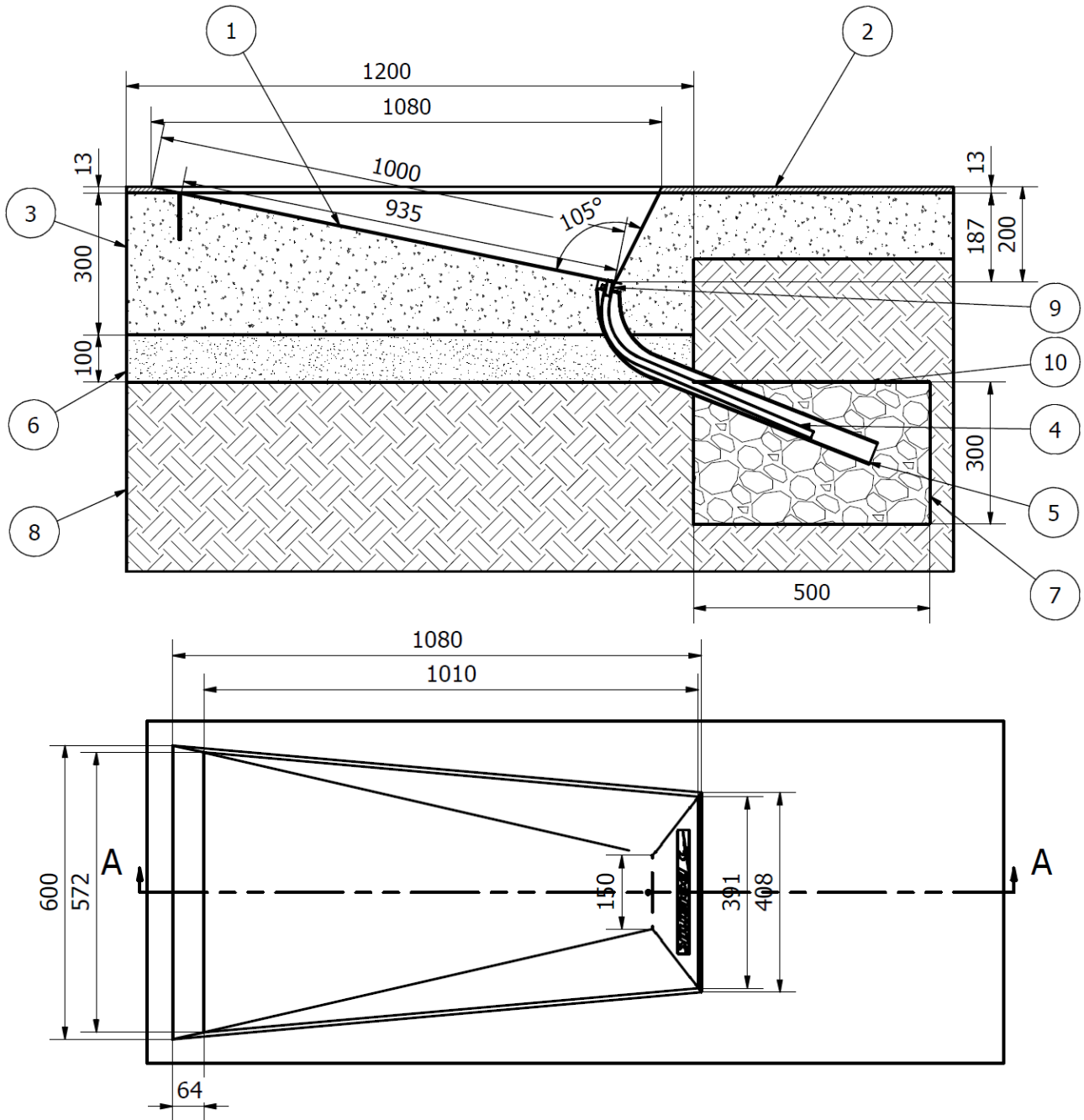
PV box in concrete foundation with target synthetic surface of runway, top view

Drawing 3

Cross-section of installed PV box in concrete foundation



The PV box installation is done according to the construction scheme (see drawing 4, page 4). The flexible hose can be connected to a drainage system. If there is not one in the facility, we recommend that a special drainage compartment should be made. A drainage pipe ought to be laid down in the compartment, which is filled with broken stones in order to ensure a better water outflow to the ground. The top side of the compartment ought to be separated from the ground with foil. Please make sure that the drainage hose is not bent or pressed during embedding.



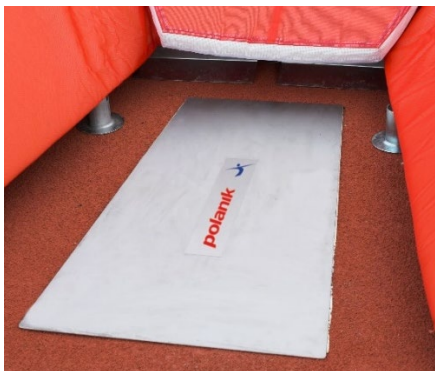
[mm]

- 1 – PV box
- 2 – synthetic runway surface
- 3 – concrete foundation
- 4 – drainage hose
- 5 – drainage tube
- 6 – sand bed
- 7 – compartment filled with broken stones
- 8 – ground
- 9 – metal clamping band
- 10 – foil

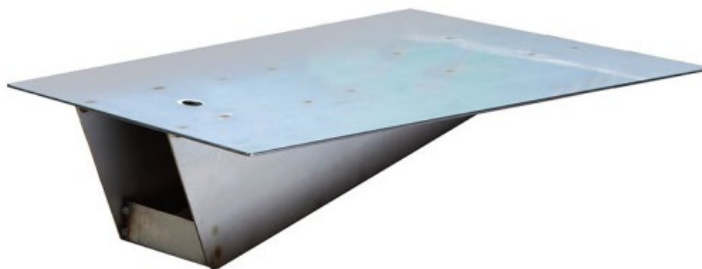
Drawing 4
 Construction scheme of PV box

4. Operation and maintenance

The inside of the box can be cleaned with commonly available detergents for stainless steel. After installation the product does not require any additional maintenance proceedings. The box, that is installed outdoor, is subject to unfavourable weather conditions. Therefore to protect it against dirt Polanik pole vault box cover (product code PVCOVER-S, see image below) or Polanik pole vault box lid flush mount (product code PVLID-S, see image below) must be used during idle periods.



PVCOVER-S



PVLID-S

5. Product images



PVBOX18-S © 2022 Polanik

The producer reserves the right to introduce without warning changes in product constructions and colours.

6. WA Certificate



PRODUCT CERTIFICATE

World Athletics is pleased to certify that the following product meets all the technical requirements of the World Athletics Rules for the relevant competitions.

Product's Trade Name:

Fixed equipment - Pole Vault box, Competition

Description, Colour/Absolute Thickness:

Stainless steel, Silver

Company Name, Country:

Polanik Sp. z o. o. - Sp. K., POL

Catalogue Number:

PVBOX18-S

Certification Number:

E-18-0988

Test Report by and on:

-

Notes:

-

Date of Issue:

1 November 2022

Date of Expiry:

November 2026

Issued in accordance with the terms and conditions of the
World Athletics Certification System


Jon Ridgeon
World Athletics CEO

