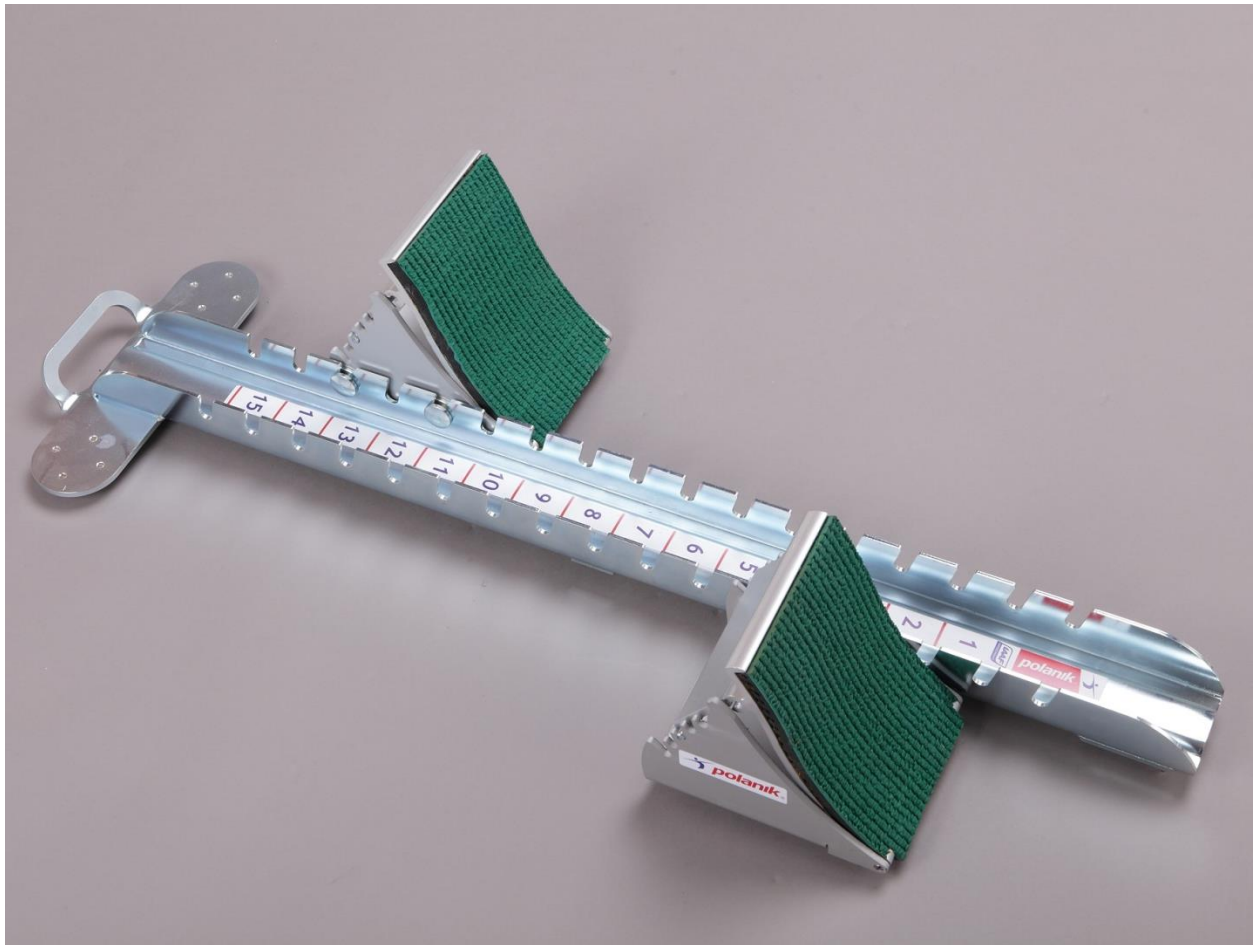


INSTRUCTION MANUAL

Competition steel-aluminium starting block with wide foot supports

PBS17-03

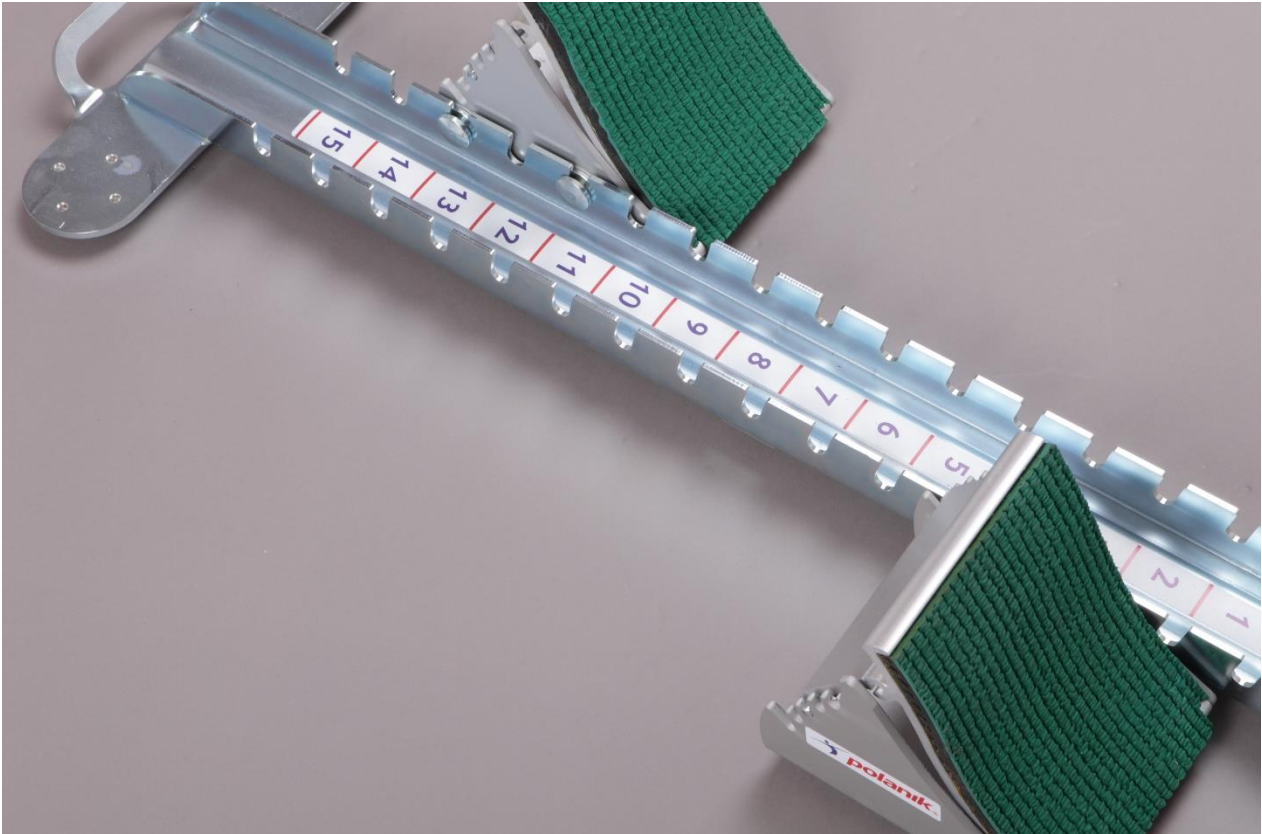


File: 2021-05-11
PRODUCT SUPPORT
Pawel Ciechanowski
p.ciechanowski@polanik.com

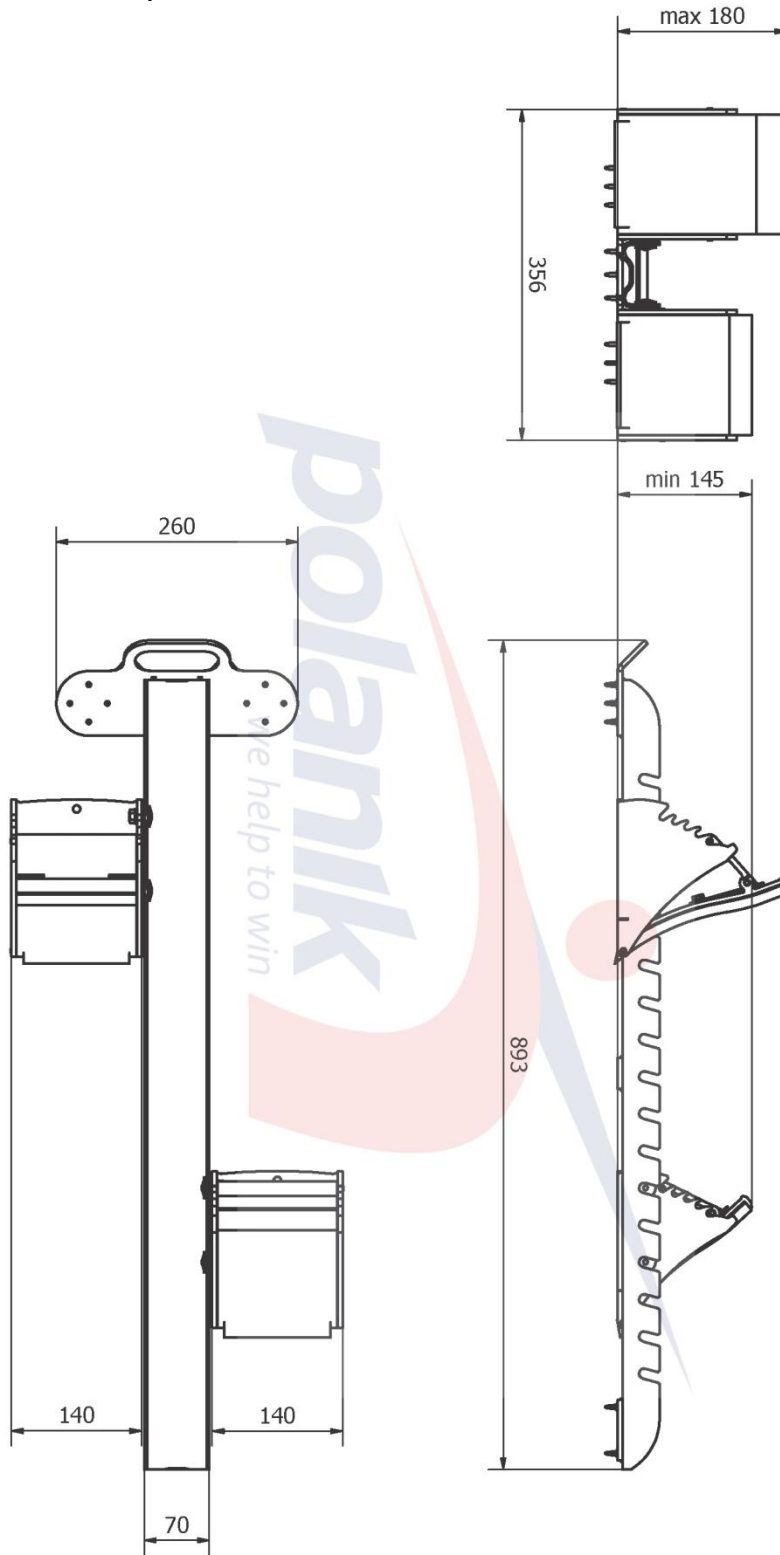


I. General description and use

PBS17-03 is a steel-aluminium competition starting block designed for athletics track events, namely for all the races up to and including 400 m (including first leg of the 4 x 200 m, the Medley Relay and 4 x 400 m). The block construction is an economic combination of steel and aluminium. Its wide aluminium foot supports have got a special ergonomic shape and are covered with high quality synthetic track. The product offers a wide adjustment range of foot supports and their reciprocal positions. PBS17-03 can be easily equipped with electronic react time systems.



II. Technical specification



[mm]

Code	PBS17-03
Type	competition, certified, steel-aluminium
Use on	synthetic track only
Block rail	steel galvanized, with handle, permanently marked
Casing of foot support	pressed aluminium profiles, two fastening bolts, permanently marked
Foot support	pressed aluminium profile, of ergonomic shape, with synthetic track
Adjusting lever of support inclinations	pressed aluminium profile, spring loaded
Positions of foot support	5
Positions of foot support casing	15
Net rail weight [kg]	3,66
Net foot support weight [kg]	1,54
Net block weight [kg]	6,74

III. Packing and transport

The starting block is packed in a carton box:

Box's dimensions [m]	contents	1 pc	2 pcs
	length L	0,92	0,92
	width B	0,34	0,34
	height H	0,18	0,18
Volume [m ³]		0,056	0,056
Gross weight [kg]		7,75	14,50

IV. Operation and maintenance

How to change the angle of the foot support plate:



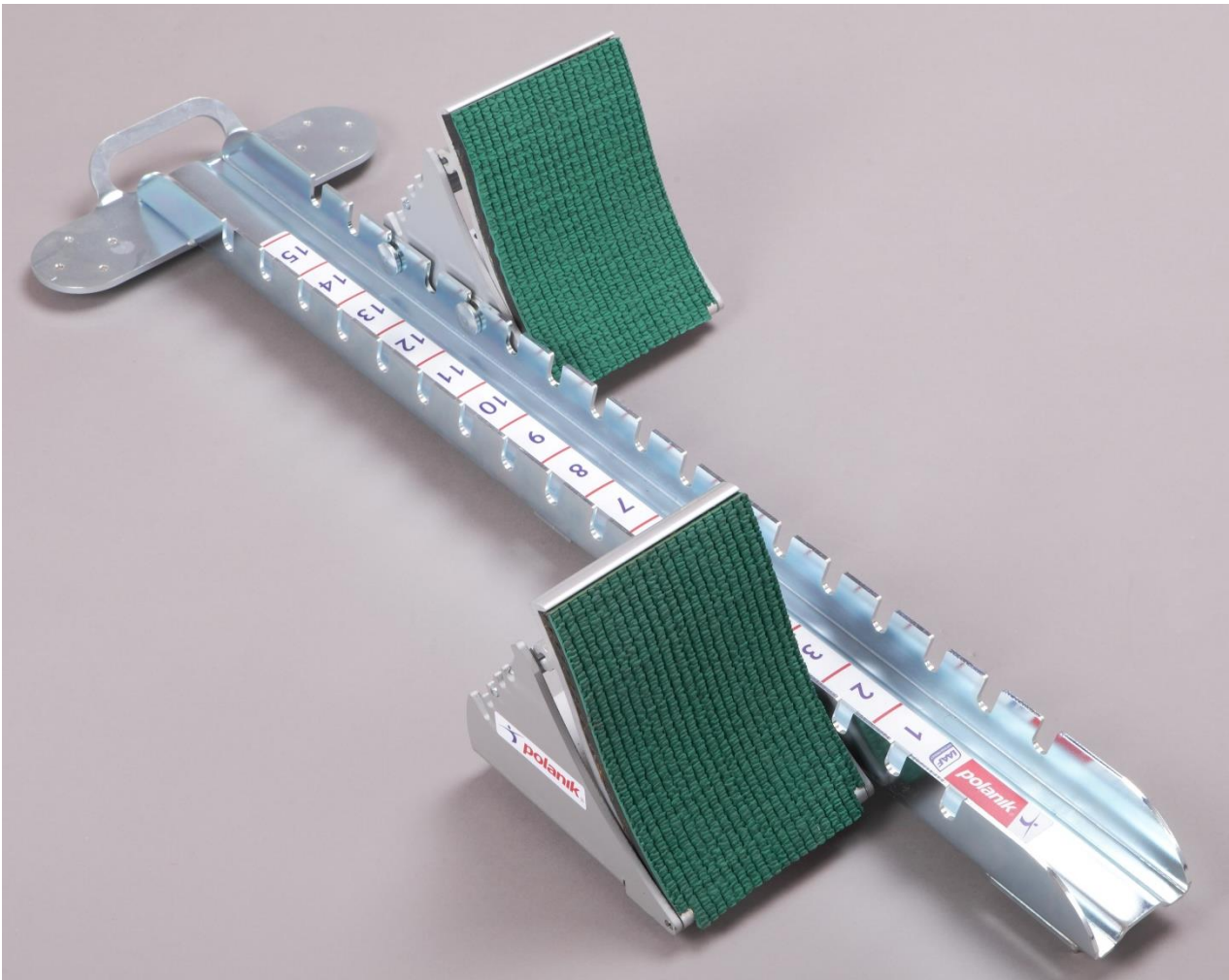
a) lift the lever,

b) and move the lever up and down to adjust the angle,

c) then release the lever to block it on the desired angle.

The starting blocks must be stored in a roofed and dry place.

V. Product images



PBS17-03 © 2018

The producer reserves the right to introduce without warning changes in product constructions and colours.

VI. WA Certificate



PRODUCT CERTIFICATE

World Athletics is pleased to certify that the following product meets all the technical requirements of the World Athletics Rules for the relevant competitions.

Product's Trade Name:

Starting blocks - Competition

Description, Colour/Absolute Thickness:

Steel, aluminium, wide foot supports, Various

Company Name, Country:

Polanik Sp. z o. o. - Sp. K., POL

Catalogue Number:

PBS17-03

Certification Number:

E-17-0910

Test Report by and on:

-

Note:

-

Date of Issue:

1 April 2021

Date of Expiry:

April 2025

Issued in accordance with the terms and conditions of the World Athletics Certification System



Jon Ridgeon
World Athletics CEO

