

POLANIK
Poland, Życzliwa 11
97-300 Piotrków Trybunalski

tel. +48 44 646 44 81
tel. +48 44 648 50 89
fax +48 44 646 43 58

e-mail: info@polanik.com
www.polanik.com



Technical specification

TurboJav

TJ300

TJ400



File: 2017-03-29

PRODUCT SUPPORT
Pawel Ciechanowski
p.ciechanowski@polanik.com

Warning!

The sports equipment produced and supplied by Polanik is designed for athletics training and use in sports competitions only. Please pay special attention especially when using throwing implements and other throwing equipment, misuse of athletics equipment and implements can cause serious injury. In no event shall Polanik be liable for any special, incidental, indirect or consequential damages in connection with the purchase or use of POLANIK products or costs over the original cost of the product. Concerning our permanent efforts to improve our products i.e. their quality and aesthetic values, we reserve the right to introduce, without prior notice, constructional changes as well as other modifications in standard colours of the equipment and implements.

Specific warranty terms

- 1) The use of the throwing implements is to be done under supervision of qualified coaches, and local safety regulations. Failure to follow the above restrictions results in loss of the warranty rights.
- 2) The TurboJavs are athletics throwing implements designed for athletics training of javelin throw. The mechanical damages of the javelins (scratches, dents and so on) caused by landing on the throwing sector are recognized as a normal wear of the product and are excluded from the warranty.

I. General description and use

TurboJavs are special javelins designed for learning basic elements and training athletics competition event - javelin throw. Training of javelin throw should be conducted on grass surfaces or similar fields.

II. Technical characteristics

TJ300 TurboJav 300g

Weight 300 grams (Min. for 300 g)

Overall Length: 695mm +/- 10mm

Tip Length: 89mm +/- 5mm

Tip Diameter at the largest location: 40mm +/- 3mm

Grip Length: 104mm +/- 5mm

Grip Diameter: 37mm +/- 3mm

Shaft Diameter (forward of grip): 38/30mm (Max / Min)

Shaft Diameter (behind grip): 27mm +/- 3mm

Location of front grip: 327mm +/- 5mm from the tip of the tail section

Location of balance point (CG): 380/365mm (Max / Min) from the tip

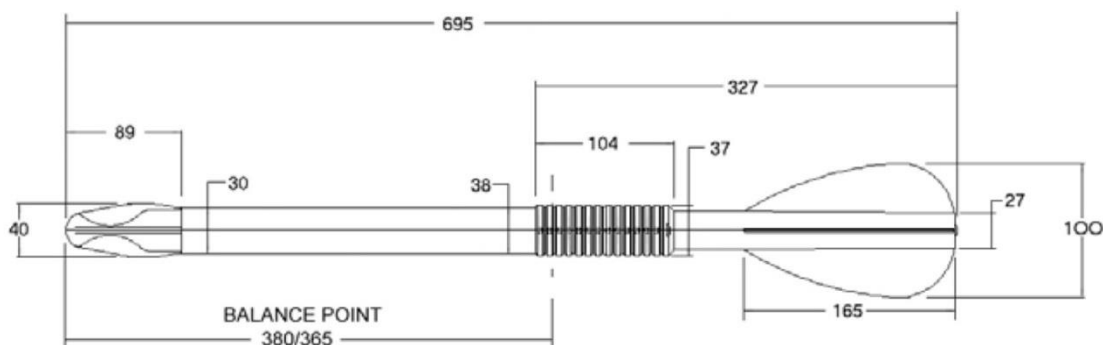
Number of fins: 4 (exactly)

Fin Length: 165mm +/- 3mm

Fin Diameter (peak to peak of opposed fins): 100mm +/- 5mm

Tip Material: soft rubber with blunt point

Materials: Shafts, grip and fins: plastic



Attention: since the javelins come in assorted colours, the colour of the delivered javelins can differ from the one shown in the picture.

TJ400 TurboJav 400g

Weight 400 grams (Min. 400 g)

Overall Length: 695mm +/- 10mm

Tip Length: 89mm +/- 5mm

Tip Diameter at the largest location: 40mm +/- 3mm

Grip Length: 104mm +/- 5mm

Grip Diameter: 37mm +/- 3mm

Shaft Diameter (forward of grip): 38/30mm (Max / Min)

Shaft Diameter (behind grip): 27mm +/- 3mm

Location of front grip: 327mm +/- 5mm from the tip of the tail section

Location of balance point (CG): 380/365mm (Max / Min) from the tip

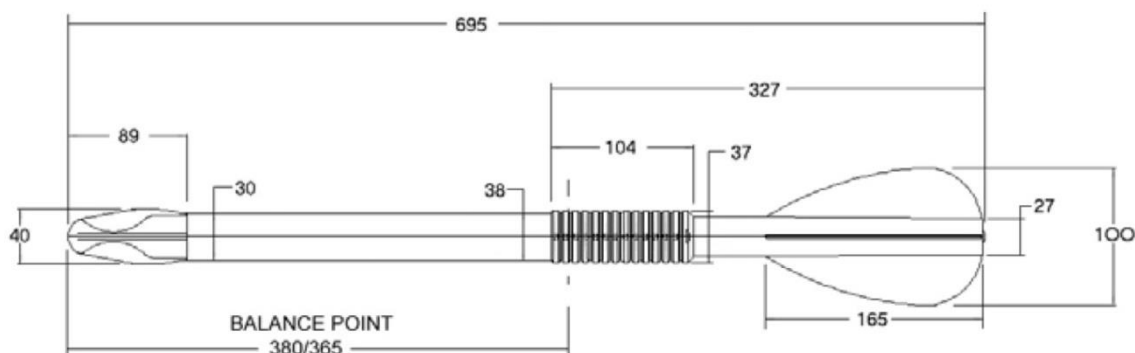
Number of fins: 4 (exactly)

Fin Length: 165mm +/- 3mm

Fin Diameter (peak to peak of opposed fins): 100mm +/- 5mm

Tip Material: soft rubber with blunt point

Materials: Shafts, grip and fins: plastic



Attention: since the javelins come in assorted colours, the colour of the delivered javelins can differ from the one shown in the picture.

III. Declaration

1) No. 2017-03-29

2) Issuer's name: POLANIK

Issuer's address: Życzliwa 11, 97-300 Piotrkow Tryb.

3) Object of declaration:

No.	Description of goods	Code
1	Turbo Jav 300g	TJ300
2	Turbo Jav 400g	TJ400

4) The object of declaration described above is in conformity with the requirements of the company production and technology norms.

Additional Information

5) Declaration for:

Buyer/Distributor/User

Signed for and in behalf of:

POLANIK

2017-03-29 Piotrkow Tryb.

(Date and place of issue)

6) Pawel Ciechanowski
Product Manager

.....

(Name, function)



.....
(Signature or equivalent authorized by the issuer)