

## TECHNICAL SPECIFICATION ASSEMBLY MANUAL

### Pole vault training stands

**STT60-S295**

**STT45-S293**



File: 20117-11-28

PRODUCT SUPPORT  
Paweł Ciechanowski  
[p.ciechanowski@polanik.com](mailto:p.ciechanowski@polanik.com)

**Thank you for choosing Polanik Training pole vault stands.**

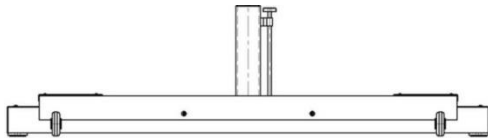
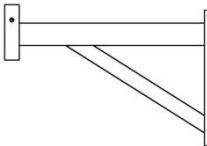
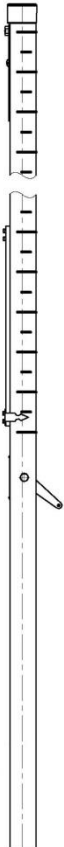


**Safe assembly and use**

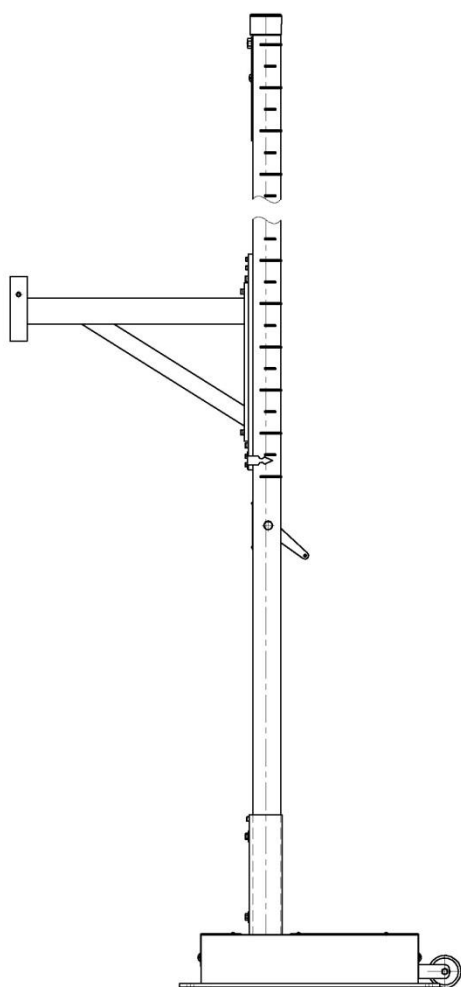
- *Before you start to assemble and use the stand please read this manual carefully.*
- *Do not install or use the stands without a landing area.*
- *The stand bases must be anchored to the ground.*
- *During idle periods the posts of the stands which are installed outside must be unscrewed from the bases, put on the landing area and the whole jumping facility (including the stand bases) must be secured with garage.*
- *The sports equipment produced by Polanik is designed for athletics training and use in sports competitions only. Please pay special attention especially when using throwing implements and other throwing equipment, misuse of athletics equipment and implements can cause serious injury or in extreme cases even death. That is why training and use during sports events have to be always supervised by authorized sports personnel. In no event shall Polanik be liable for any special, incidental, indirect or consequential damages in connection with the purchase or use of POLANIK products or costs over the original cost of the product.*
- *Unauthorized copying of this manual, in whole or in part, is prohibited.*
- *The contents of this manual are subject to change without notice.*
- *The producer reserves the right to introduce without warning changes in product constructions and colours.*

### I. General use and description

STT60-S295 and STT45-S293 are complete pole vault training stands sets. Both sets include the following elements:

Part/set description	Q-ty Pcs.	Part/set sketch
<p>Base (s-0293-021-01-00-00 right; s-0293-022-01-00-00 left)</p>	<p>2</p>	
<p>Crossbar support (S-0293-021-07-00-00 right; S-0293-022-07-00-00 left)</p>	<p>2</p>	
<p>Post (S-0293-021-05-01-00 right; S-0293-022-05-01-00 left)</p>	<p>2</p>	

## II. Technical specification



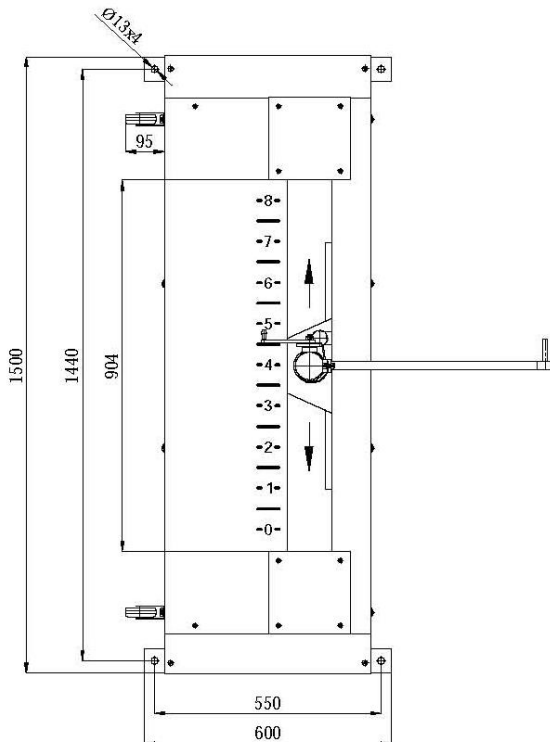
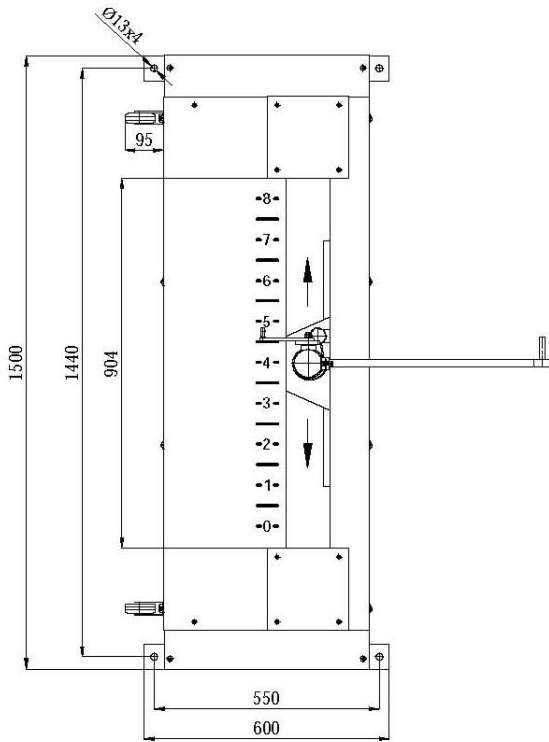
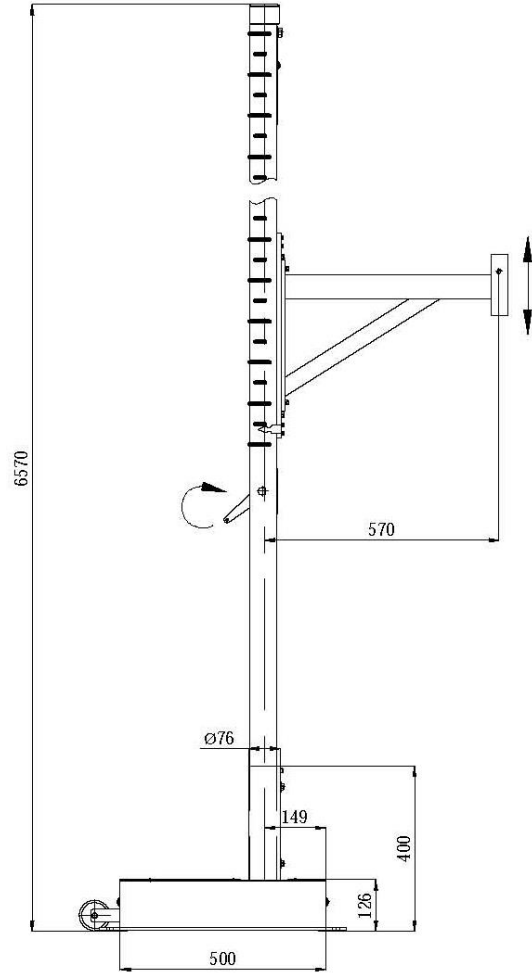
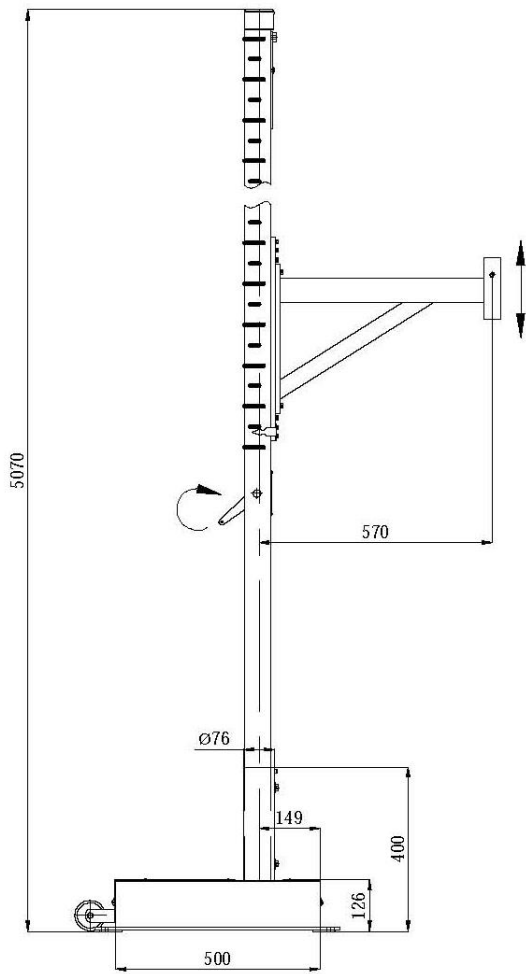
	STT60-S295	STT45-S293
<b>Stand type</b>	training	training
<b>Crossbar support</b>	aluminium, powder painted	aluminium, powder painted
<b>Post</b>	special aluminium anodized profile, detachable	special aluminium anodized profile, detachable
<b>Base</b>	galvanized steel, powder painted steel sheets, equipped with wheels, with 4 anchoring holes	galvanized steel, powder painted steel sheets, equipped with wheels, with 4 anchoring holes
<b>Crossbar support lifting mechanism</b>	hand crank with brake, smooth operation	hand crank with brake, smooth operation
<b>Post shifting mechanism</b>	manual with hand wheel brake, smooth operation system based on special guide rolls	manual with hand wheel brake, smooth operation system based on special guide rolls
<b>Height range [cm]</b>	160 – 600	160 – 450
<b>Post horizontal shift range [cm]</b>	0-80	0-80
<b>Set net weight [kg]</b>	148	140

## V. Packing and transport

The set is delivered in parts. Boxes' dimensions:

- 1/3 6,65 x 0,35 x 0,35 [m]- post packed in foil
- 2/3 6,65 x 0,35 x 0,35 [m]- post packed in foil
- 3/3 1,70 x 0,85 x 0,65 [m]- bases and crossbar supports on a pallet

Gross weight - 160 kg.







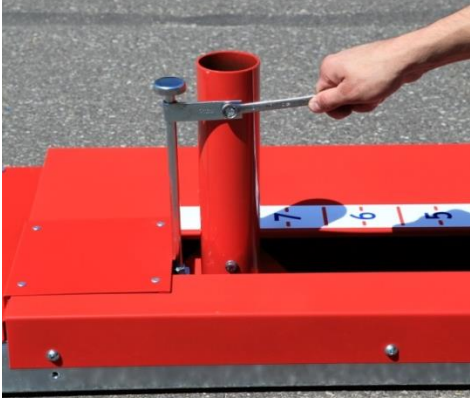

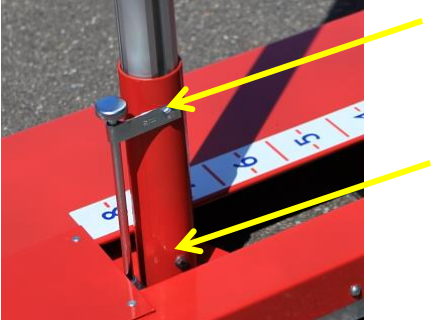

STT45-S293



[mm]

STT60-S295




### III. Assembly

Step	Description	Image
1	<p>Unpack the product: remove a foil from a pallet and using two 19 wrenches unscrew nuts on each pallet's corner, remove a foil from posts.</p>	 
2	<p>Read all marks carefully.</p>	 

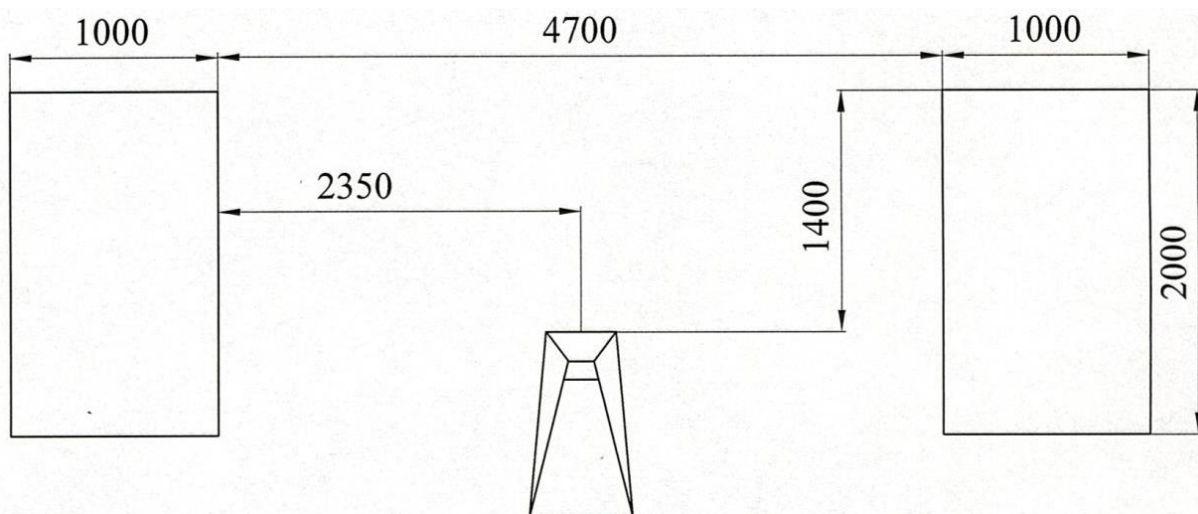
Step	Description	Image
3	Ease the screws using a metric wrench no. 13.	
4	Put in the post.	
5	Tighten the screws using a wrench no. 13.	
6	Fasten the crossbar support using a hex key no. 6.	

Step	Description	Image
7	<p>Change the crank lever's position from "transport position" to "work position": unscrew a fastening nut, rearrange the crank lever, home the nut using a metric wrench no. 17.</p>	
8	<p>Transport assembled stands to the place of exploitation.</p>	



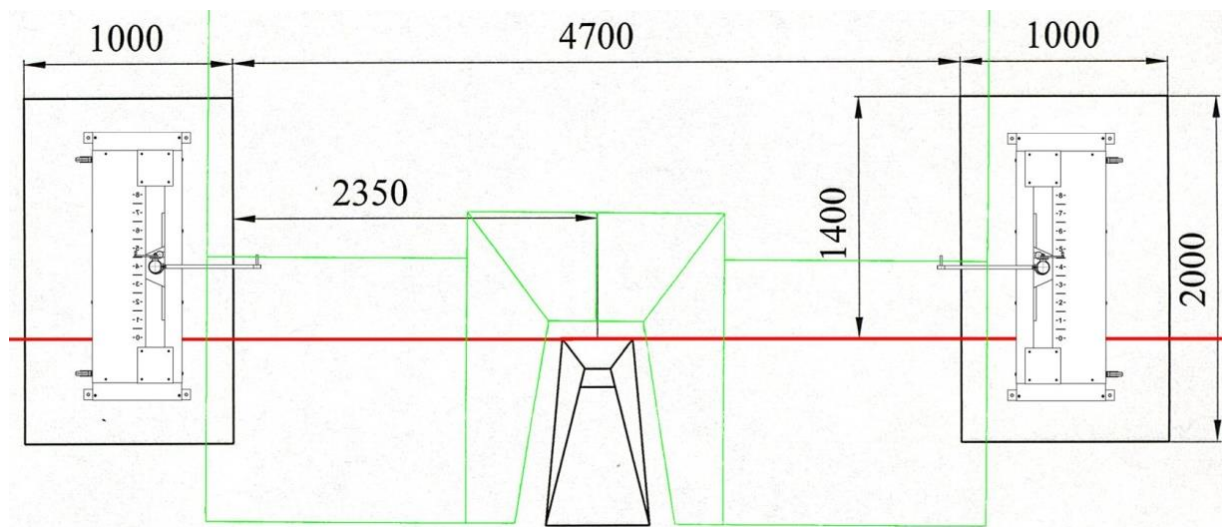
Step	Description	Image
9	<p>After assembly and positioning the stands their bases must be fastened to the ground using the mounting holes of the flat bars of the bases.</p> <p></p> <p><b>The omission of that operation may cause the stands overturn and result in serious accident or damages.</b></p>	  <p>It is recommended that hex nut head steel sleeve anchors dia. 12 mm and length 100 mm (holes in concrete must be of dia. 12 mm and 100 – 120 mm deep) are used for anchorage. The concrete layer is to be dry and non-cracked. For the installation of the anchors please see their producer's instruction.</p>

Recommended concrete foundations are shown below:



[mm]

The stand bases situated in the foundations:



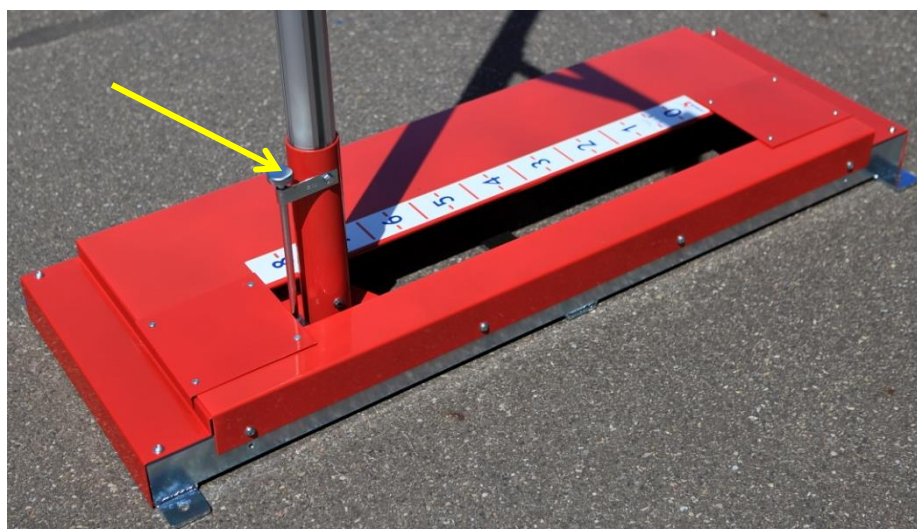
[mm]

#### IV. Operating and maintenance

To block/unlock the crank lever change its position by following the marks on the crank.



To avoid bases' shifts during exploitation, block them using the base brake, turn the knob clockwise to block the post shift and turn it counterclockwise to release the brake.



As the producer we have done our best to make pole vault stands guarantee maximum safety level, be easily operated and reliable in use. However the stands like any other pieces of sports equipment requires periodical inspections and must be used according to the instruction manual and operated by authorized personnel. While operating the stands the following rules must be observed:

- The base wheels should be only used to transport the stands on level surfaces and within short distances. For long distances you must unscrew the posts from the bases.
- While changing the height of the crossbar support or adjusting the distance of the post to "0" line make sure to slow down before reaching extreme positions. That allows you to avoid "banging" which may result in excessive load of the mechanisms.
- During idle periods the posts of the stands, which are installed outside, must be unscrewed from the bases, put on the landing area and the whole jumping facility (including the stand bases) must be secured with garage.
- If there is no garage available in the facility, only during summer athletics season the unscrewed posts can be put on the landing area on the condition that the posts and the bases are protected against rain with waterproof covers (not included).
- When the summer athletics season ends the stands (including the bases) must be dismantled and stored in a dry and roofed place.

## VI. Declarations

1) Declaration No. 2014-07-17

2) Issuer's name: POLANIK

Issuer's address: Życzliwa 11, 97-300 Piotrkow Tryb.

3) Items of declaration

No.	Name	Code
1	Training pole vault stand	STT60-S295

4) The object of declaration described above is in conformity with the requirements of the following documents:

Document no.	Title	Edition/Date of issue
Rule 183 point 9, 10	Competition Rules 2014-2015	International Association of Athletics Federations IAAF 17, rue Princesse Florestine BP 359 – MC 98007 Monaco Cedex Tel. +3377 93 10 88 88 Faks +377 93 15 95 15 www.iaaf.org

### Additional Information

5) Declaration for:

BUYER and USER

Signed for and in behalf of:

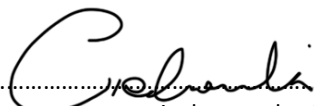
POLANIK

2014-07-17 Piotrkow Tryb.

(Date and place of issue)

Pawel Ciechanowski  
Product Manager

6) .....  
(Name, function)

  
.....  
(Signature or equivalent authorized by the issuer)

1) Declaration No. 2014-07-17

2) Issuer's name: POLANIK

Issuer's address: Życzliwa 11, 97-300 Piotrkow Tryb.

3) Items of declaration

No.	Name	Code
1	Training pole vault stand	STT45-S293

4) The object of declaration described above is in conformity with the requirements of the following documents:

Document no.	Title	Edition/Date of issue
Rule 183 point 9, 10	Competition Rules 2014-2015	International Association of Athletics Federations IAAF 17, rue Princesse Florestine BP 359 – MC 98007 Monaco Cedex Tel. +3377 93 10 88 88 Faks +377 93 15 95 15 www.iaaf.org

#### Additional Information

5) Declaration for:

BUYER and USER

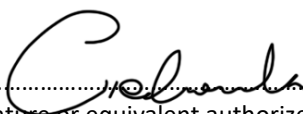
Signed for and in behalf of:  
POLANIK

2014-07-17 Piotrkow Tryb.

(Date and place of issue)

Pawel Ciechanowski  
Product Manager

6) .....  
(Name, function)

  
.....  
(Signature of equivalent authorized by the issuer)

## VII. Images



STT45-S293 © 2017 Polanik



STT60-S295 © 2017 Polanik