

TECHNICAL SPECIFICATION

Competition long jump and triple jump take-off board set with stainless steel foundation tray and synthetic adjustable base board

S14-250 (ver. XI 2020)



NEW TECHNOLOGY – EASIER OPERATION

File: 2021-03-27
PRODUCT SUPPORT
Pawel Ciechanowski
p.ciechanowski@polanik.com



Contents

1. General characteristics	2
2. Parts list (part sets)	3
3. Technical data	5
4. Scheme of take-off board installed in foundation tray.....	6
5. Additional equipment, available separately	7
6. IAAF certificate.....	8

1. General characteristics

The take-off board S14-250 is designed for conducting sports events and training programs of horizontal jumps.






Main features of the take-off board:

- high safety – construction according to the latest recommendations – no metal elements in take-off zone, foundation tray with lowered edges designed to be covered by synthetic surface and white take-off board fastened from the bottom side, no screws on top,
- outstanding durability – guaranteed by waterproof synthetic base board, equipped with stainless steel adjustable feet, stainless steel foundation tray,
- user-friendly – thanks to comfortable and easy adjustment of the base board done from its top side, the white take-off board can be quickly leveled with the runway surface with the included hex key, even if the foundation tray is not installed horizontally,
- innovative construction – constituted by elements which are easy to assemble, transport and store
- easy operating – fast assembly and disassembly processes, which take 15 minutes approx., can be done by one person provided that the foundation tray is already embedded in the track,
- high quality – set elements are precisely produced from stainless steel, waterproof synthetic materials and impregnated wood,
- fast replacement of wearing parts: white take-off board and indicator boards.



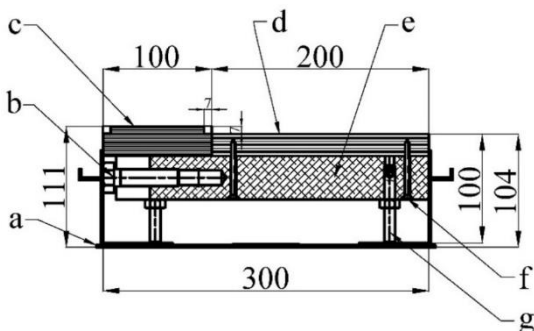
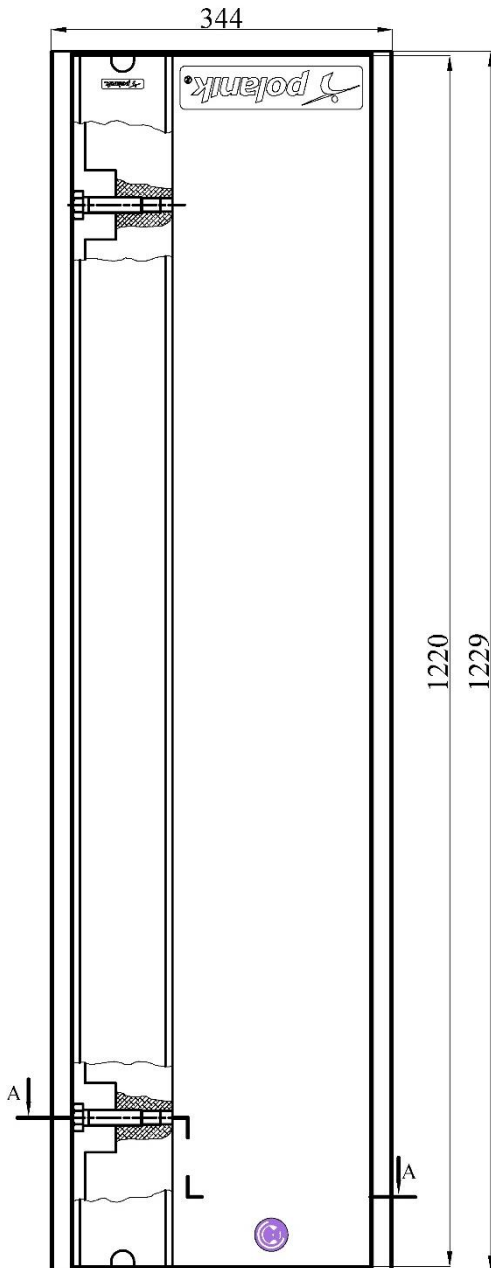
2. Parts list (part sets)

Item	Part/set description	Q-ty pcs	Part/set sketch
1	Stainless steel foundation tray with accessories for concreting (draining tubes and spacing boards) K3-250	1	
2	PCV base board with adjustable feet S-250-000-15-01-00	1	
3	White take-off board with screws K7-250	1	
4	Indicator plasticine board 2020 model K8-250	2	
5	Training indicator board without plasticine S-250-02-03	1	
6	Plasticine 300 g S-250-02-01	1	

Item	Part/set description	Q-ty pcs	Part/set sketch
7	Plasticine forming knife 2020 model K9-250	1	
8	Wrench - to block the supporting board in the tray S-0250-000-00-08-00	1	
9	Hex key to adjust the feet M40 KL 5 W	1	
10	Wrench - to block the feet S-0250-000-08-00-01	1	
11	Screwdriver to fasten white take-off board to base board	1	



3. Technical data

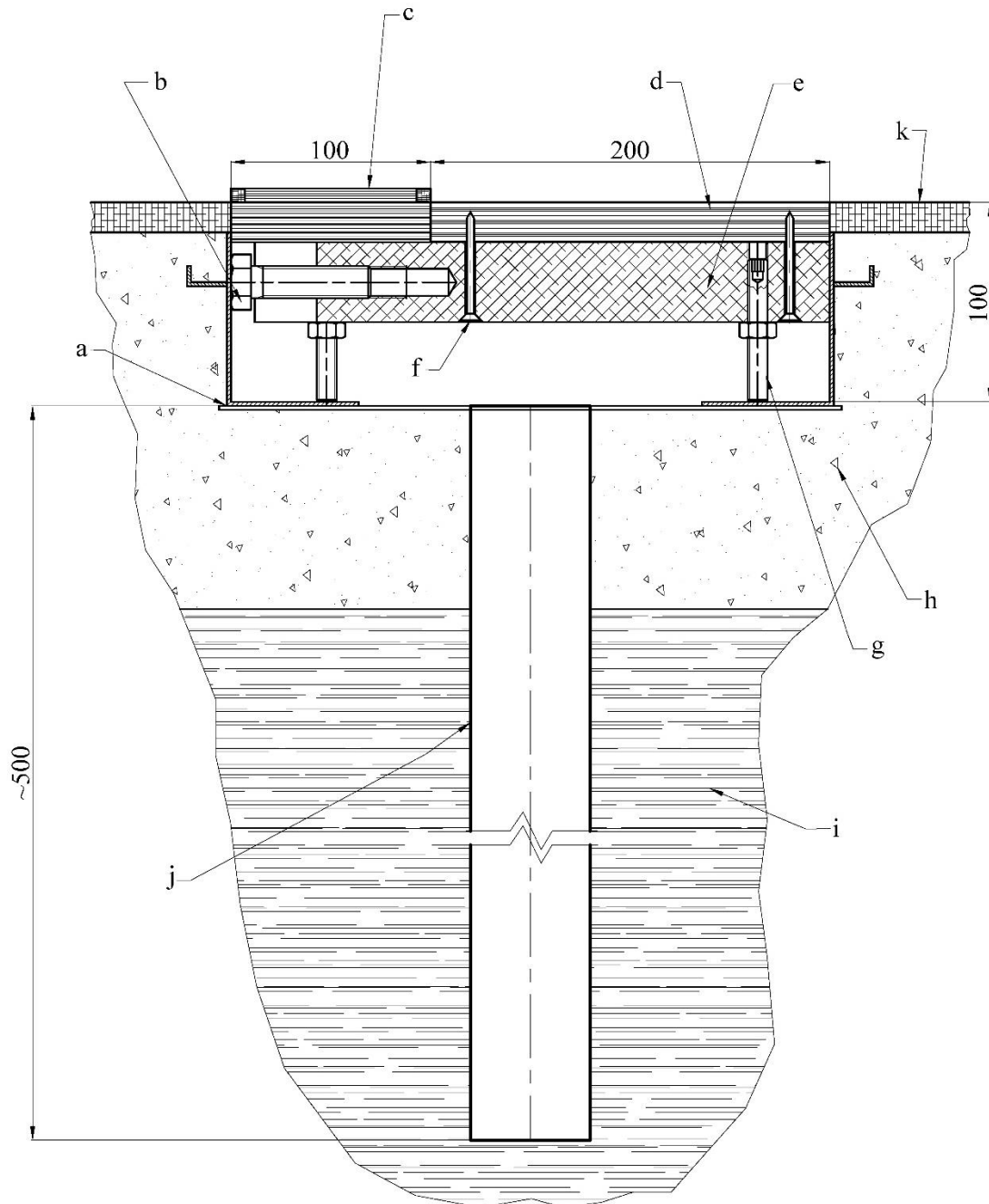


Product code	S14-250
Description	set of take-off board for long and triple jump
Type	competition, IAAF certified
Use	ready set to be installed in long and triple jump runway
Foundation tray	stainless steel, lowered edges to be covered by synthetic surface for safety, equipped with drainage tubes and spacing boards
Base board	waterproof, synthetic, equipped with adjustable stainless steel feet from top and synthetic blocking screws
White take-off board	beech glulam, painted, reversible, fastened to base board from bottom side for safety
Plasticine indicator board	waterproof plywood, painted, with two plasticine stripes of square section
Training indicator board	waterproof plywood, painted
Spare plasticine	included
Forming knife	included
Wrench to block base board inside tray	included
Wrench to adjust base board feet	included
Screwdriver to install white take-off board	included
Way of packing	carton box
Box contents	1 set of S14-250
L box length [mm]	1225
B box width [mm]	380
H box height [mm]	172
Gross weight [kg]	44

- a – stainless steel tray (item 1)
- b – blocking bolt
- c – plasticine indicator board (item 4)
- d – white take-off board (item 3)
- e – synthetic base board with adjust. feet (item 2)
- f – screw to fasten white take-off board
- g – adjustable foot

[mm]





4. Scheme of take-off board installed in foundation tray



- a – stainless steel tray (item 1)
- b – blocking bolt
- c – plasticine indicator board (item 4)
- d – white take-off board (item 3)
- e – synthetic base board with adjustable feet (item 2)
- f – screw to fasten white take-off board
- g – adjustable foot
- h – concrete foundation
- i – ground
- j – draining tube (item 1)
- k – synthetic surface of runway

[mm]

5. Additional equipment, available separately

Item	Part/set description	Part/set sketch
1	<p>Stainless steel cover for competition take-off board PBN-S0250</p> <p>Stainless steel cover for take-off competition boards, secures the inside of the board tray, smooth surface and 6 adjustable feet (in the range of 20 mm) for installing synthetic track, strong ribbed construction. Designed for gluing the synthetic surface.</p>	
2	<p>Stainless steel cover with edges for competition take-off board PBN14-S0250</p> <p>Stainless steel cover for take-off competition boards, secures the inside of the board tray, special edges for installing synthetic surface, 6 adjustable feet (in the range of 20 mm), strong ribbed construction. Equipped with edges for easy application of synthetic surface.</p>	
3	<p>Plasticine straps for indicator board 2020 model P8x31-2020</p> <p>Set of 8 red plasticine straps, specially shaped, ready to be put into the indicator board recess, designed for the competition take-off boards.</p>	
4	<p>Rubber indicator board for competition board LG15-250</p> <p>black full rubber indicator board designed for training</p>	

6. IAAF certificate

International Association of Athletics Federations



Product Certificate

The IAAF is pleased to certify hereby that the following product:

Product's Trade Name: Fixed equipment, Take-off board, Competition

Description, Colour / Absolute Thickness: Plastic/plywood/stainless steel, White/dark blue

Company Name, Country: Polanik Sp. z o. o. - Sp. K., POL

Catalogue Number: S14-250

IAAF Certification Number: E-14-0775

meets the dimensional requirements for use in all international athletics competitions.

It is for the purchaser to determine the item's fitness for the purpose based on his knowledge of the local conditions and use.

Valid from: 1 February 2018

Until the last day of: February 2022

This certificate is issued in accordance with the terms and conditions of the IAAF Certification System of track and field facilities, implements and competition equipment.


SEBASTIAN COE
IAAF President


JORGE SALCEDO
IAAF Technical Committee Chairman

