

TECHNICAL SPECIFICATION

Universal hurdle cart

S-259



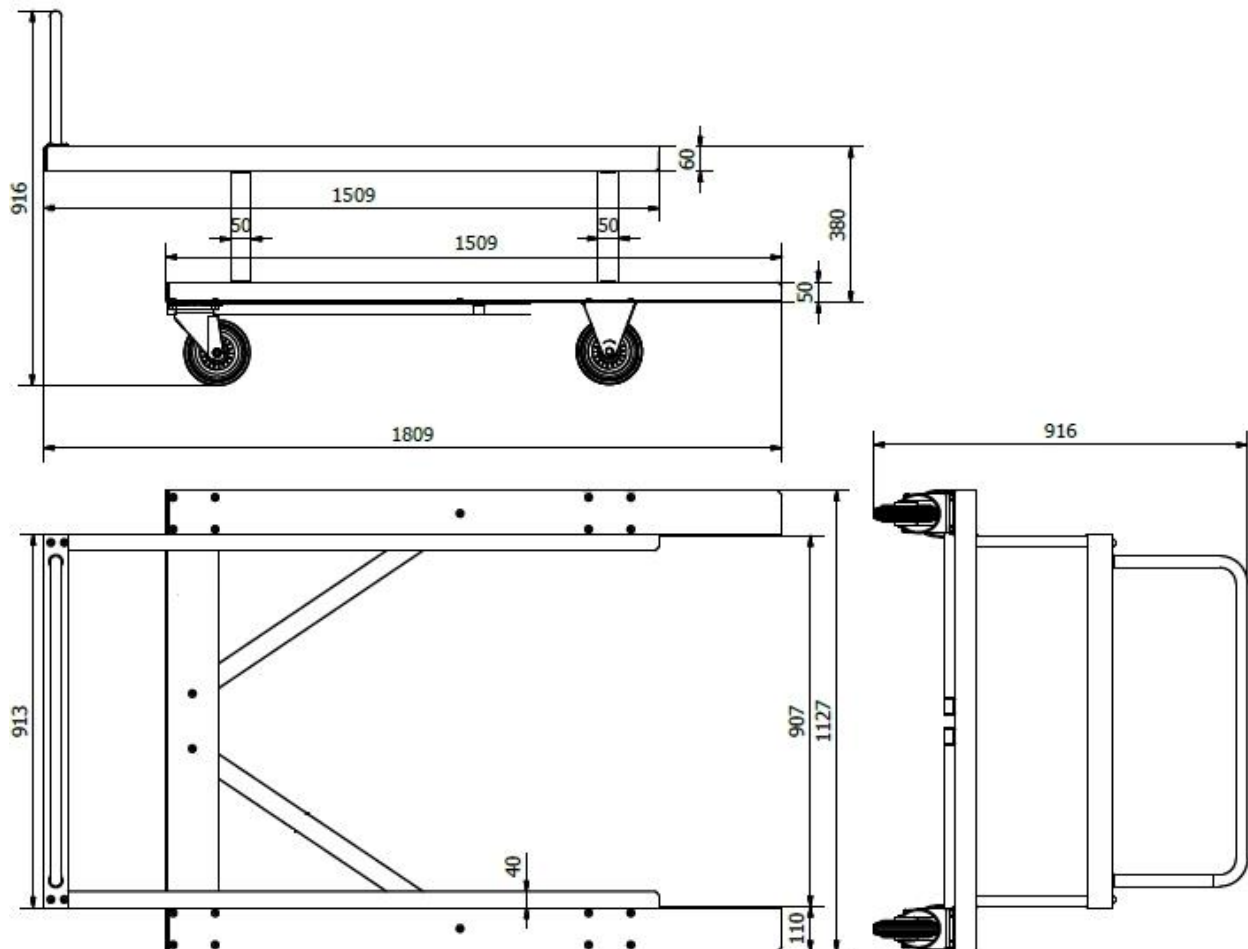
I. Description

Universal hurdle cart can be used to transport training and competition athletics hurdles.

II. Technical data

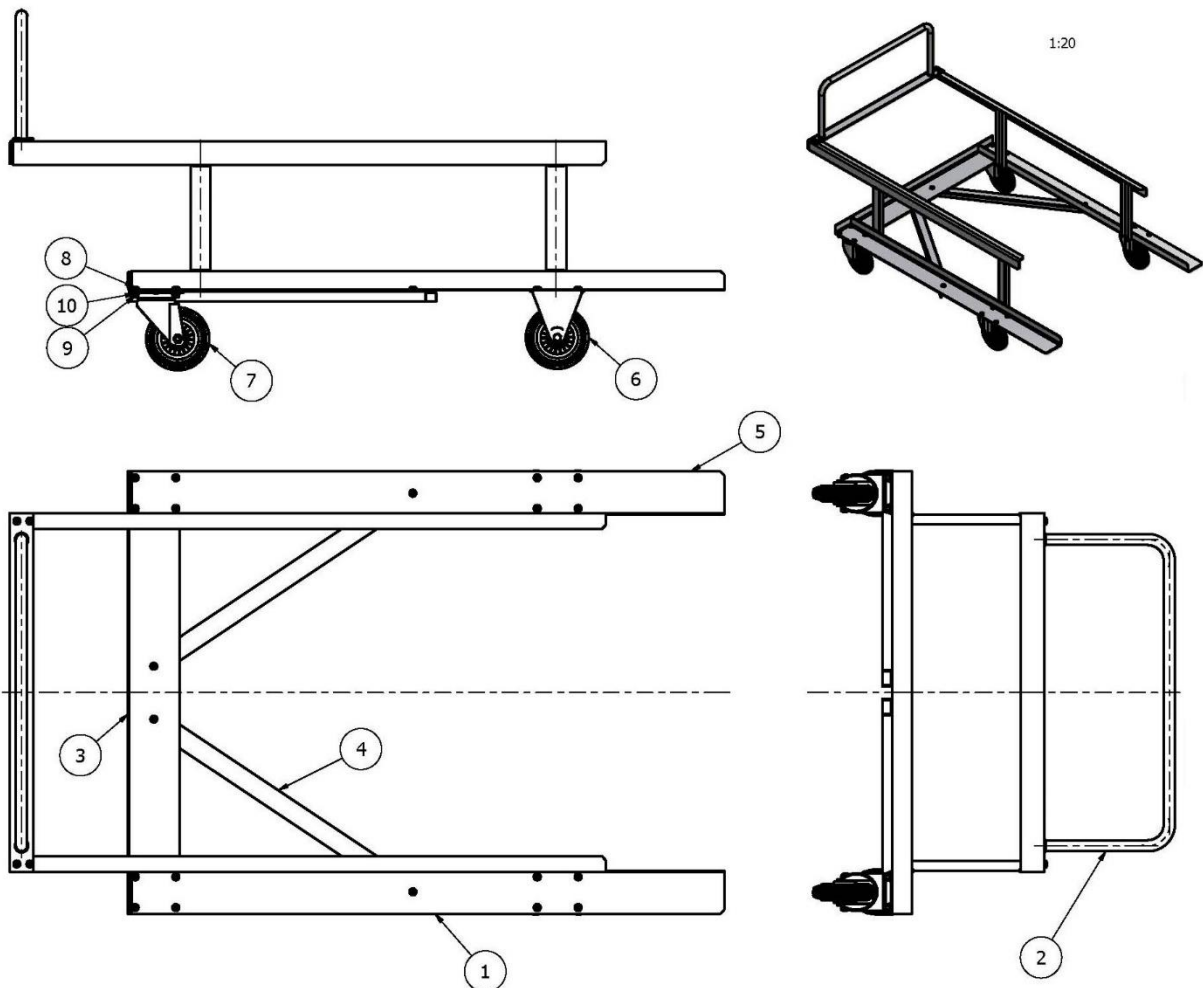
Code	S-259
Capacity	up to 30 training hurdles apart from spring back hurdles or up to 15 competition hurdles apart from PP-170 and PP13-170A
Material	galvanized steel
Handle	galvanized and powder painted
Net weight [kg]	40

[mm]



III. Parts list

Item	Quantity	Description
1.	1	Hurdle feet support right
2.	1	Handle with top crossbar
3.	1	Bottom crossbar
4.	2	U-section
5.	1	Hurdle feet support left
6.	2	Fixed wheel
7.	2	Castoring wheel
8.	24	Screw
9.	24	Nut
10.	24	Washer



IV. Assembly

All the cart elements are to be screwed together with 24 screws M10. First use only hands to install the screws. When you have put all the elements together, use wrenches to tighten the screws.

V. Maintenance

The cart must be stored in a roofed and dry place. The wheel excels should be greased once a year.

VI. Packing and transport

The cart is packed in a case.

VII. Declaration

1) No. 2020-06-22

2) Issuer's name: POLANIK

Issuer's address: Życzliwa 11, 97-300 Piotrków Tryb.

3) Objects of declaration

No.	Name	Code
1	Universal cart for hurdles	S-259

4) Technical specification described above is in accordance with the factory's internal engineering standards.

Additional Information

5) Declaration for:

Buyer/Distributor/User

Signed for and in behalf for:

POLANIK

2020-06-22 Piotrków Tryb.

(Date and place of issue)

Paweł Ciechanowski

Product Manager

6)

(Name, function)



.....
(Signature or equivalent authorized by the issuer)