

TECHNICAL SPECIFICATION

Starter's stand with stairs and handrail

PS19-3/60

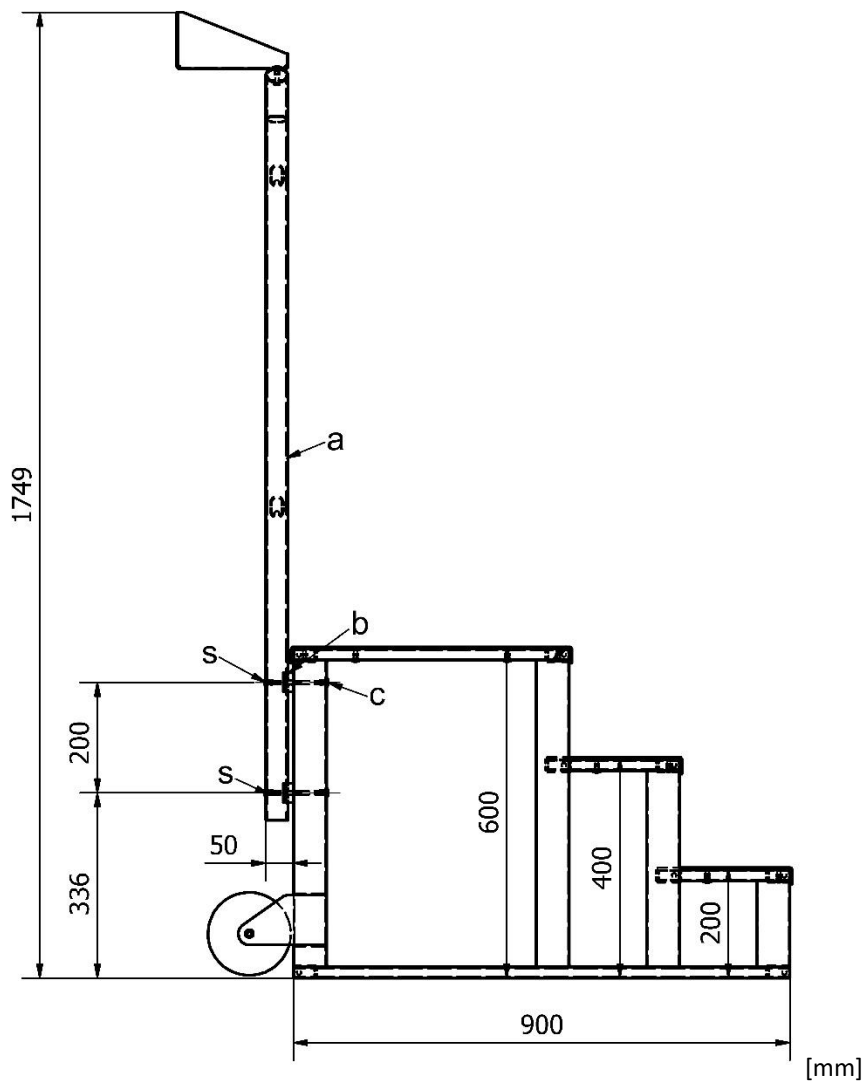


I. General description and use

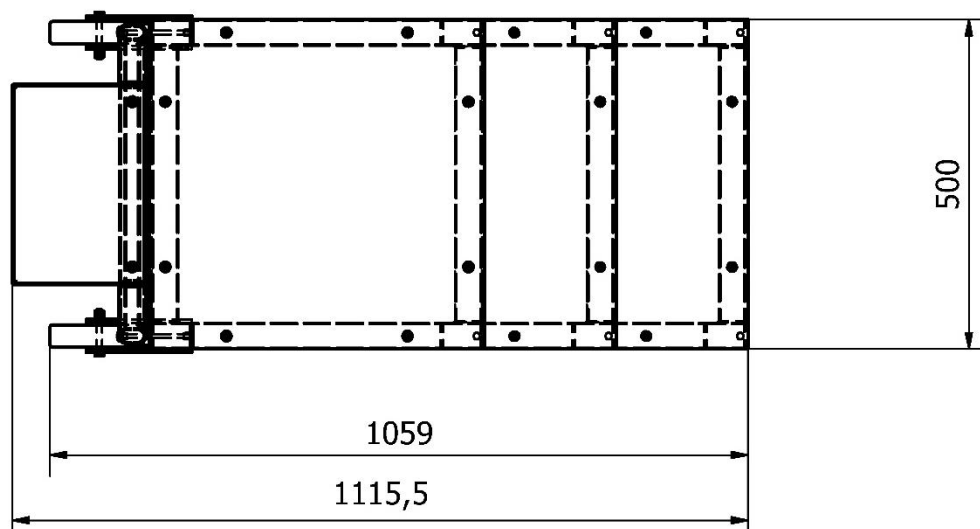
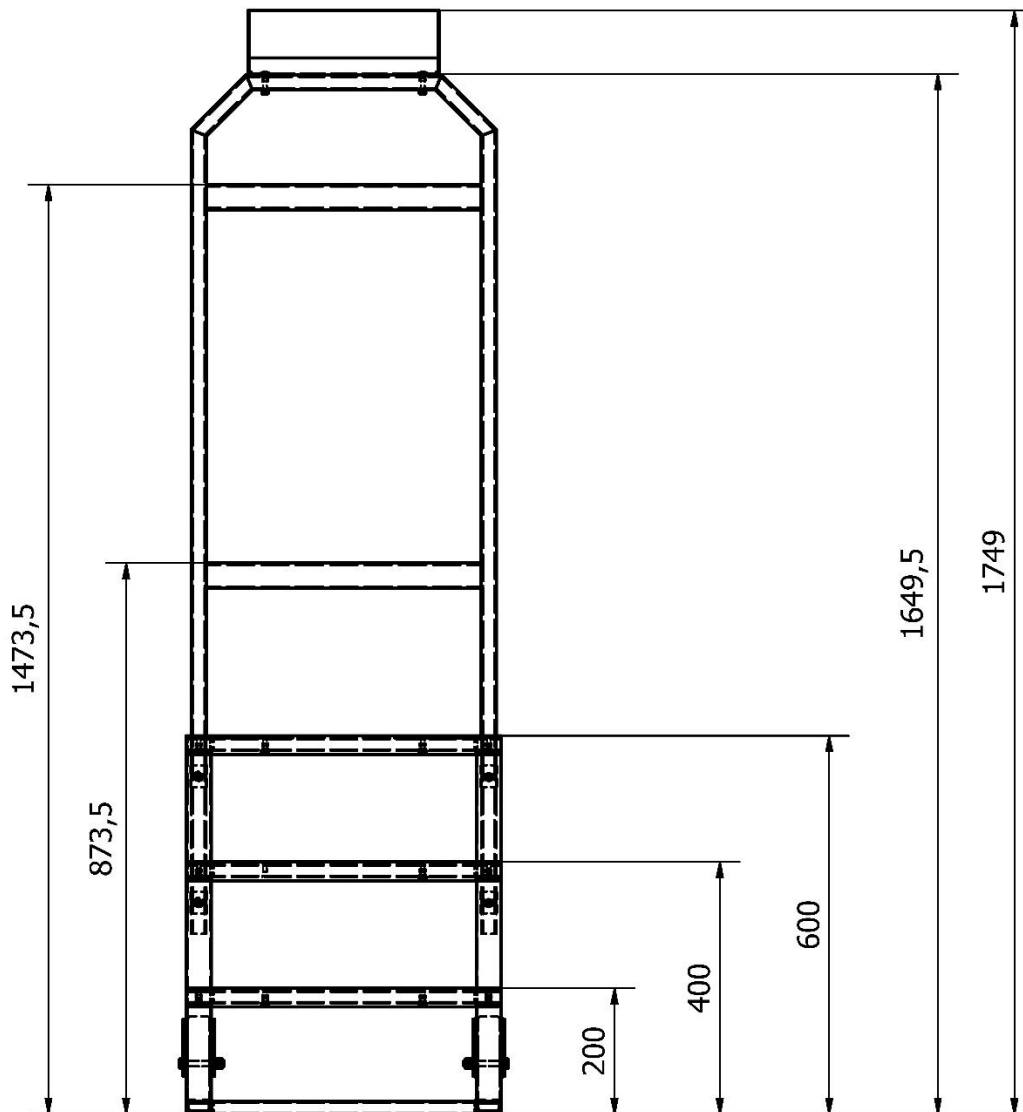
Provides starter with outstanding visibility, safe and comfortable stairs equipped with handrail and shelf for starting revolver, crossbar in handrail to hang starter's headphones, stairway and handrail are available also separately.

II. Technical support

Code	PS19-3/60
Type	aluminium, 3-step with handrail
Construction	welded, aluminium profiles, anodized
Number of steps	3
Step covering	rifled sheet
Handrail	aluminium anodized, screwed to the stairway
Accessories	powder painted aluminium shelf lined with rubber, wheels for easy manoeuvring
Max load [kg]	150



a – handrail b – spacing washer c – nut s – screw



[mm]

III. Packing and transport

The product is delivered on a pallet in parts.

IV. Assembly

The handrail is to be screwed to the stairway with four screws nuts and spacing washers.

V. Operation and maintenance

It should be stored in a dry and roofed place.

VI. Product images



© 2019 Polanik

The producer reserves the right to introduce without warning changes in product constructions and colours.

VII. Declaration

1) No. 2019-12-03

2) Issuer's name: POLANIK
Issuer's address: Życzliwa 11, 97-300 Piotrków Tryb.

3) Declared items

No.	Name	Code
1	Starter's stand with stairs and handrail	PS19-3/60

4) Technical specification described above is in accordance with the factory's internal engineering standard.

Additional information

5) The declaration was made for:

Purchaser and User

The declaration was signed on behalf and with authorization:


POLANIK

2019-12-03 Piotrków Tryb.

(Date and place)

Paweł Ciechanowski
Product manager

6)
(Name, function)


.....
(Signature or its equivalent authorized by the Exhibitor)