

TECHNICAL SPECIFICATION

Polanik Premium Line Carbon Discuses

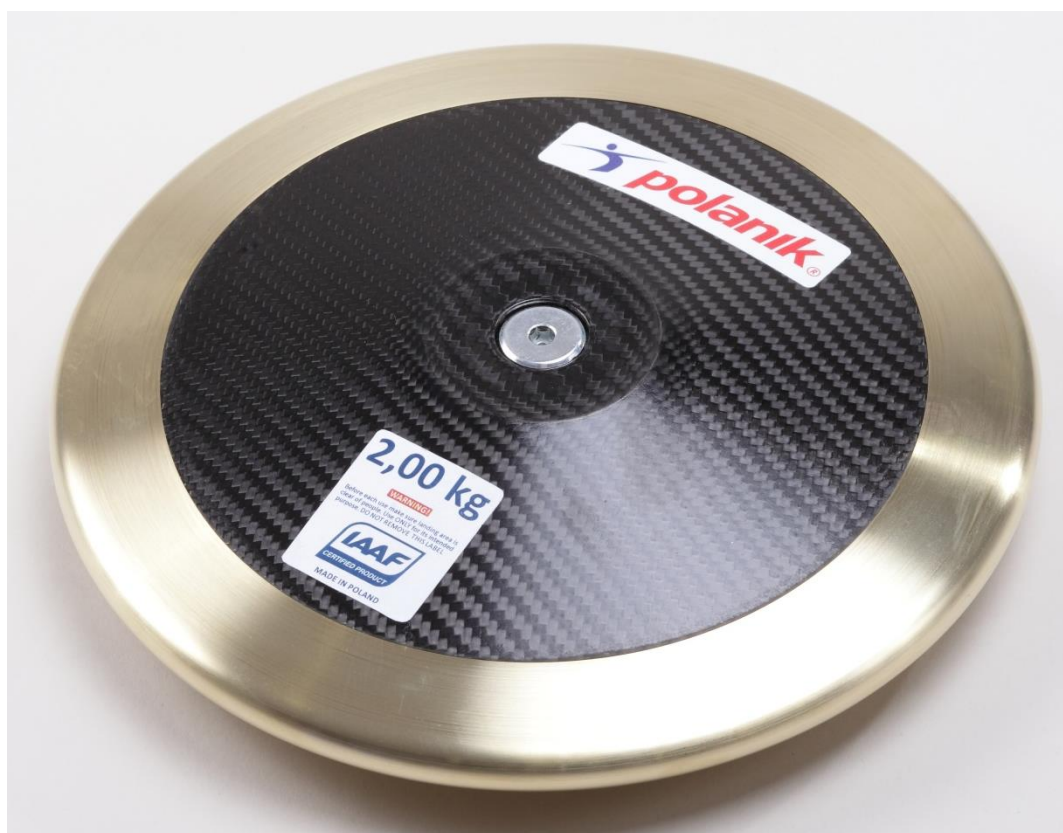
CCD14-1

CCD14-1,5

CCD14-1,6

CCD14-1,75

CCD14-2



Warning!

The sports equipment produced by Polanik is designed for athletics training and use in sports competitions only. Please pay special attention especially when using throwing implements and other throwing equipment, misuse of athletics equipment and implements can cause serious injury. In no event shall Polanik be liable for any special, incidental, indirect or consequential damages in connection with the purchase or use of POLANIK products or costs over the original cost of the product. Concerning our permanent efforts to improve our products i.e. their quality and aesthetic values, we reserve the right to introduce, without prior notice, constructional changes as well as other modifications in standard colours of the equipment and implements.

Specific warranty terms

- 1) The use of the throwing implements is to be done at the properly marked and secured sports facilities designed for that purpose and under supervision of qualified coaches, and according to: the rules of the International Association of Athletics Federations (IAAF), respective national athletics federation and local safety regulations. Failure to follow the above restrictions results in loss of the warranty rights.
- 2) The discuses are athletics throwing implements designed for the athletics competition event – discus throw. The mechanical damages of the discuses (scratches, dents and so on) caused by landing on the throwing sector or other discuses remaining on the throwing field are recognized as a normal wear of the product and are excluded from the warranty.

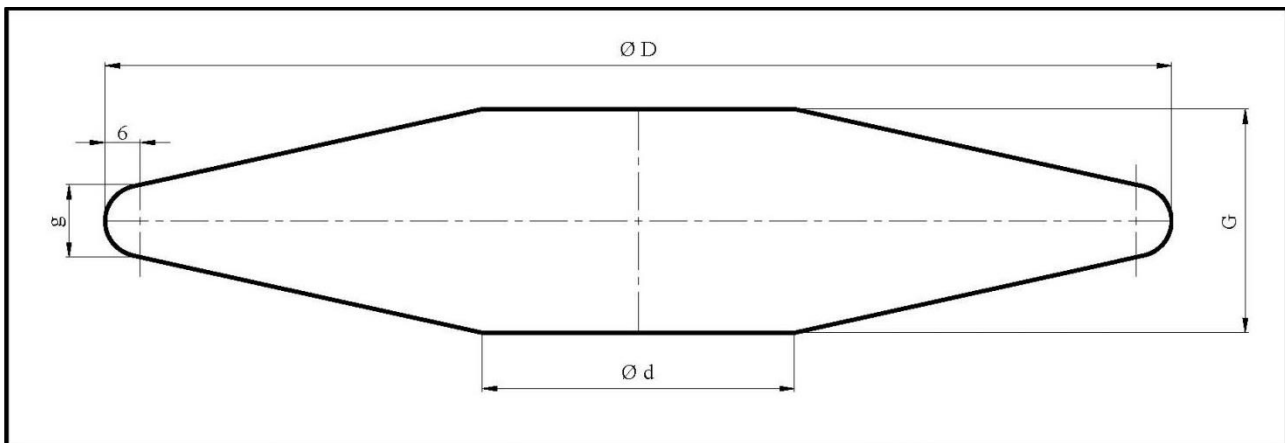
I. Use

The carbon discuses are designed for discus throw at high level athletics competitions and training programs. The discuses are recommended for advanced discus throwers. The discus are to be used on grass grounds or similar.

II. Technical data

The discus rim is made of brass with special steel core (patent pending construction). The side plates are manufactured out of carbon fibre material. The side plates are rigid and resistant to impacts.

The discuses are produced according to the IAAF specification:

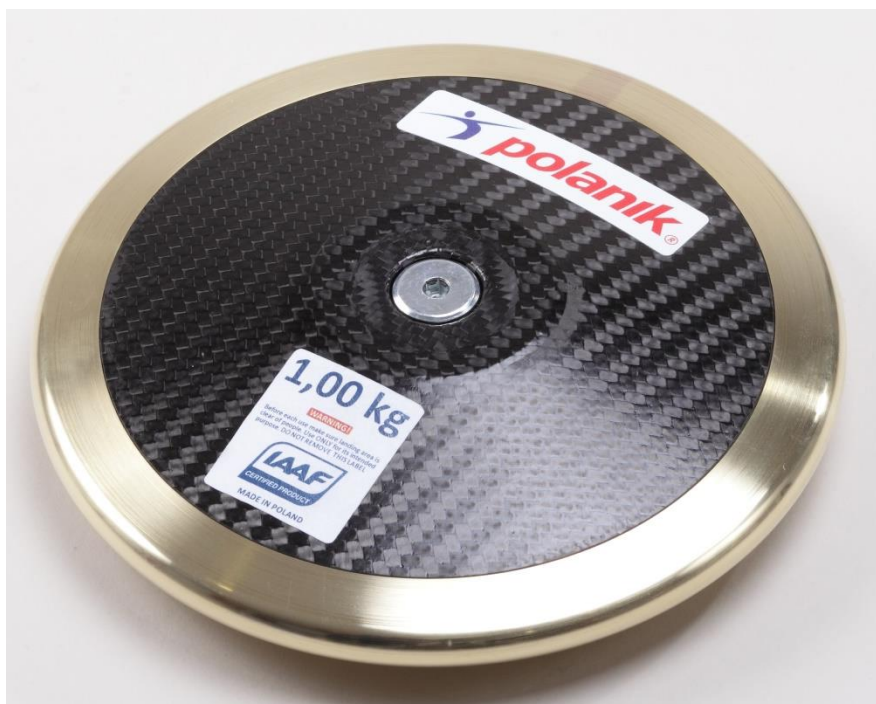


The discus specifications according to the IAAF rules

Minimum weight for admission to competition and acceptance of a record	1.000 kg		1.500 kg		1.750 kg		2.000 kg	
	min.	max.	min.	max.	min.	max.	min.	max.
Information for manufacturers: Range for supply of implement for competition	1.005 kg	1.025 kg	1.505 kg	1.525 kg	1.755 kg	1.775 kg	2.005 kg	2.025 kg
Outside diameter of metal rim [ϕ D]	180 mm	182 mm	200 mm	202 mm	210 mm	212 mm	219 mm	221 mm
Diameter of metal plane or flat centre area [ϕ d]	50 mm	57 mm	50 mm	57 mm	50 mm	57 mm	50 mm	57 mm
Thickness of metal plate or flat centre area [G]	37 mm	39 mm	38 mm	40 mm	41 mm	43 mm	44 mm	46 mm
Thickness of metal rim (6 mm from edge) [g]	12 mm	13 mm	12 mm	13 mm	12 mm	13 mm	12 mm	13 mm

Product code	Weight [kg] from +0,005 to +0,025	Outside diameter of rim [mm] ± 1	Thickness of flat centre area [mm]	Diameter of flat centre area	Rim weight of total discus weight min. [%]~
CCD14-1	1	181	38	52,7	82
CCD14-1,5	1,5	201	39	52,7	84
CCD14-1,6	1,6	210	41	52,7	82
CCD14-1,75	1,75	211	42	52,7	84
CCD14-2	2	220	45	52,7	84

~approximate values



© 2019 Polanik

III. Operation and maintenance

The discuses should be used on grass ground only. The throwing field should be free of hard objects and thrown discuses should be removed regularly during training and competitions.

IV. Packing and transport

The discuses are packed in paper bags and foil bags. Each discus comes with synthetic fabric carrying bags. Then each discus is packed in a 3-layer cardboard box.

Code	Package dimensions [mm]	Package weight [kg]
CCD14-1	210x210x45	1,15
CCD14-1,5	230x230x50	1,68
CCD14-1,6	230x230x50	1,78
CCD14-1,75	230x230x50	1,95
CCD14-2	230x230x50	2,20

V. IAAF certificates

International Association of Athletics Federations



Product Certificate

The IAAF is pleased to certify hereby that the following product:

Product's Trade Name: Discus, Full carbon, 1kg

Description, Colour / Absolute Thickness: Premium Line, carbon sides, brass rim, Various

Company Name, Country: Polanik Sp. z o. o. - Sp. K., POL

Catalogue Number: CCD14-1

IAAF Certification Number: I-14-0676

meets the dimensional requirements for use in all international athletics competitions.

It is for the purchaser to determine the item's fitness for the purpose based on his knowledge of the local conditions and use.

Valid from: 1 April 2018

Until the last day of: April 2022

This certificate is issued in accordance with the terms and conditions of the IAAF Certification System of track and field facilities, implements and competition equipment.


SEBASTIAN COE
IAAF President


JORGE SALCEDO
IAAF Technical Committee Chairman



International Association of Athletics Federations



Product Certificate

The IAAF is pleased to certify hereby that the following product:

Product's Trade Name:

Discus, Full carbon, 1.5kg

Description, Colour / Absolute Thickness:

Premium Line, carbon sides, brass rim, Various

Company Name, Country:

Polanik Sp. z o. o. - Sp. K., POL

Catalogue Number:

CCD14-1,5

IAAF Certification Number:

I-14-0677

meets the dimensional requirements for use in all international athletics competitions.

It is for the purchaser to determine the item's fitness for the purpose based on his knowledge of the local conditions and use.

Valid from:

1 April 2018

Until the last day of:

April 2022

This certificate is issued in accordance with the terms and conditions of the IAAF Certification System of track and field facilities, implements and competition equipment.



SEBASTIAN COE
IAAF President



JORGE SALCEDO
IAAF Technical Committee Chairman



International Association of Athletics Federations



Product Certificate

The IAAF is pleased to certify hereby that the following product:

Product's Trade Name:

Discus, Full carbon, 1.75kg

Description, Colour / Absolute Thickness:

Premium Line, carbon sides, brass rim, Various

Company Name, Country:

Polanik Sp. z o. o. - Sp. K., POL

Catalogue Number:

CCD14-1,75

IAAF Certification Number:

I-14-0678

meets the dimensional requirements for use in all international athletics competitions.

It is for the purchaser to determine the item's fitness for the purpose based on his knowledge of the local conditions and use.

Valid from:

1 April 2018

Until the last day of:

April 2022

This certificate is issued in accordance with the terms and conditions of the IAAF Certification System of track and field facilities, implements and competition equipment.



SEBASTIAN COE
IAAF President



JORGE SALCEDO
IAAF Technical Committee Chairman



International Association of Athletics Federations



Product Certificate

*The IAAF is pleased to certify hereby
that the following product:*

Product's Trade Name:

Discus, Full carbon, 2kg

Description, Colour / Absolute Thickness:

Premium Line, carbon sides, brass rim, Various

Company Name, Country:

Polanik Sp. z o. o. - Sp. K., POL

Catalogue Number:

CCD14-2

IAAF Certification Number:

1-14-0679

meets the dimensional requirements for use in all international athletics competitions.

It is for the purchaser to determine the item's fitness for the purpose based on his knowledge of the local conditions and use.

Valid from:

1 April 2018

Until the last day of:

April 2022

This certificate is issued in accordance with the terms and conditions of the IAAF Certification System of track and field facilities, implements and competition equipment.



SEBASTIAN COE
IAAF President



JORGE SALCEDO
IAAF Technical Committee Chairman



VI. Declaration

1) No. 2019-02-13

2) Issuer's name: POLANIK

Issuer's address: Życzliwa 11, 97-300 Piotrkow Tryb.

3) Object of declaration:

Item no.	Description of goods	Code
1	Carbon discus 1,6 kg	CCD14-1,6

4) The object of declaration described above is in conformity with the requirements of the following documents:

Articles	Document title	Issuer
Rule 189 Point 1	IAAF Competition Rules 2018-2019	International Association of Athletics Federations 6-8, Quai Antoine 1er, BP 359, MC 98007 Monaco Cedex Tel: +377 93 10 88 88 Fax: +377 93 15 95 15 www.iaaf.org

Additional Information

5) Declaration for:

Buyer/Distributor/User

Signed for and in behalf of:

POLANIK
2019-02-13 Piotrkow Tryb.
(Date and place of issue)

6) Pawel Ciechanowski
Product Manager

.....
(Name, function)


.....
(Signature or equivalent authorized by the issuer)