

## TECHNICAL SPECIFICATION

### Universal hurdle cart

### S-259



File: 2016-08-11

**TECHNICAL SUPPORT**

Paweł Ciechanowski

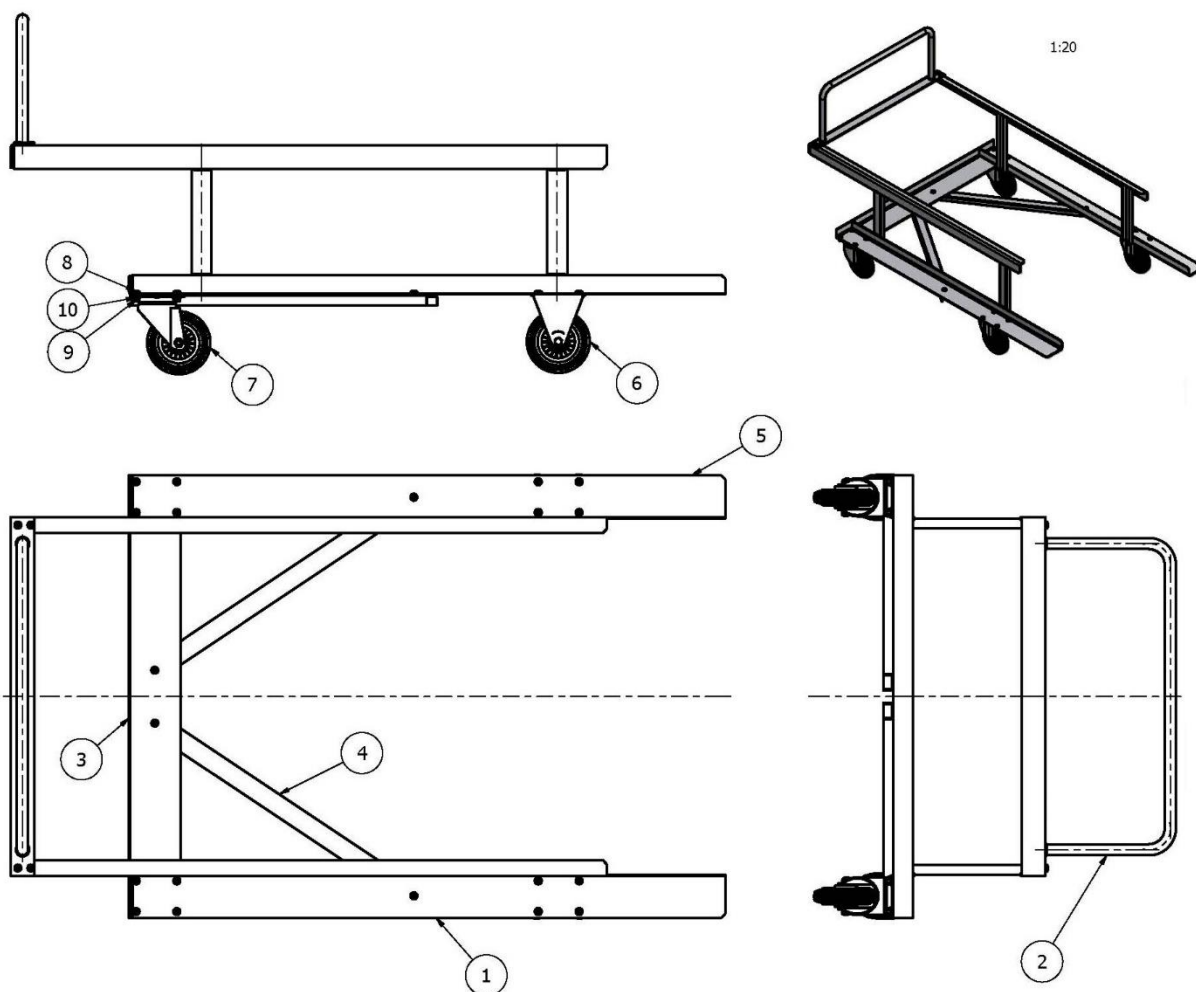
[p.ciechanowski@polanik.com](mailto:p.ciechanowski@polanik.com)

## I. Description

Universal hurdle cart capacity up to 30 hurdles, steel galvanized construction. Cart also has wide handle to easier move.

## II. Parts list

Item	Quantity	Description
1.	1	Hurdle feet support right
2.	1	Handle with top crossbar
3.	1	Bottom crossbar
4.	2	U-section
5.	1	Hurdle feet support left
6.	2	Fixed wheel
7.	2	Castoring wheel
8.	24	Screw
9.	24	Nut
10.	24	Washer



### **III. Assembly**

All the cart elements are to be screwed together with 24 screws M10. First use only hands to install the screws. When you have put all the elements together, use wrenches to tighten the screws.

### **IV. Maintenance**

The cart must be stored in a roofed and dry place. The wheel excels should be greased once a year.

### **V. Packing and transport**

The cart is packed in a case.

## VI. Declaration

1) No. 2016-08-11

2) Issuer's name: POLANIK

Issuer's address: Życzliwa 11, 97-300 Piotrków Tryb.

3) Objects of declaration

No.	Name	Code
1	Universal cart for hurdles	S-259

4) Technical specification described above is in accordance with the factory's internal engineering standards.

### Additional Information

5) Declaration for:

Buyer/Distributor/User

Signed for and in behalf for:

POLANIK Spółka z Ograniczoną Odpowiedzialnością

2016-08-11 Piotrków Tryb.

(Date and place of issue)

Paweł Ciechanowski

Product Manager

6) .....

(Name, function)



.....  
(Signature or equivalent authorized by the issuer)