

## TECHNICAL SPECIFICATION

### Training shot put toe board

S-257-T



## I. General description and use

S-257-T is a training toe board designed to assembly with circle of an internal diameter 2135mm for shot put.

## II. Technical description

<b>Code</b>	<b>S-257-T</b>
<b>Type</b>	training
<b>Material</b>	fibreglass
<b>Assembly</b>	5 raw plug
<b>Weight [kg]</b>	5

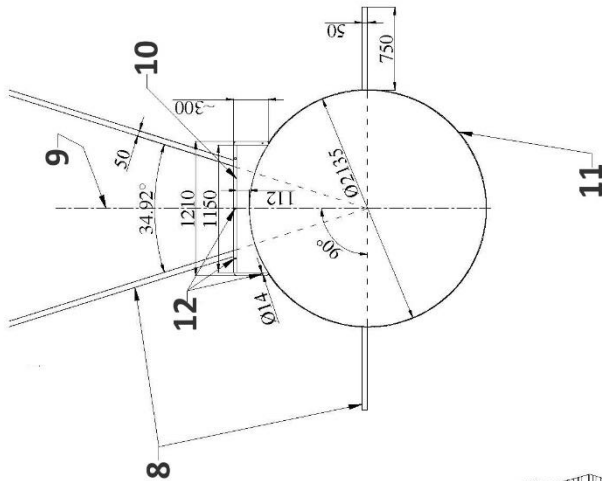


**S-257-T © 2016 Polanik**

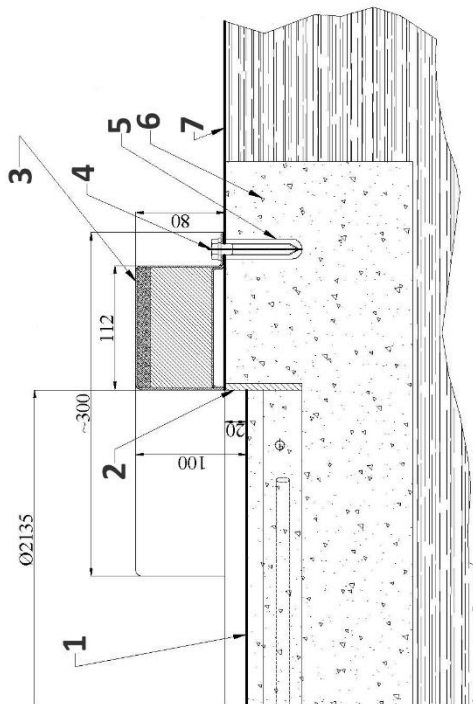
We reserve the right to make changes without notice in design and colour of products.

### III. Operation and maintenance

Toe board assemble as shown below.



1.	The area of a circle
2.	The circle rim
3.	Toe board (section in midline of the throwing area)
4.	Mounting screw
5.	Pin
6.	Concrete
7.	Ground surface
8.	White lines
9.	Centre line of the throwing area
10.	Toe board
11.	The circle rim
12.	Space for screws



### IV. Packing and transport

Product is packed in foil.

## V. Declaration

1) No. 2016-08-08

2) Issuer's name: POLANIK

Issuer's address: Życzliwa 11, 97-300 Piotrków Tryb.

3) Objects of declaration

No.	Name	Code
1	Training shot put toe board	S-257-T

4) Technical specification described above is in accordance with the factory's internal engineering standards.

### Additional Information

5) Declaration for:

Buyer/Distributor/User

Signed for and in behalf for:

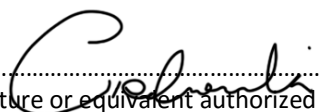
POLANIK Spółka z Ograniczoną Odpowiedzialnością

2016-08-08 Piotrków Tryb.

(Date and place of issue)

Paweł Ciechanowski  
Product Manager

6) .....  
(Name, function)

  
.....  
(Signature or equivalent authorized by the issuer)