

POLANIK
Poland, Życzliwa 11
97-300 Piotrków Trybunalski

tel. +48 44 646 44 81
tel. +48 44 648 50 89
fax +48 44 646 43 58

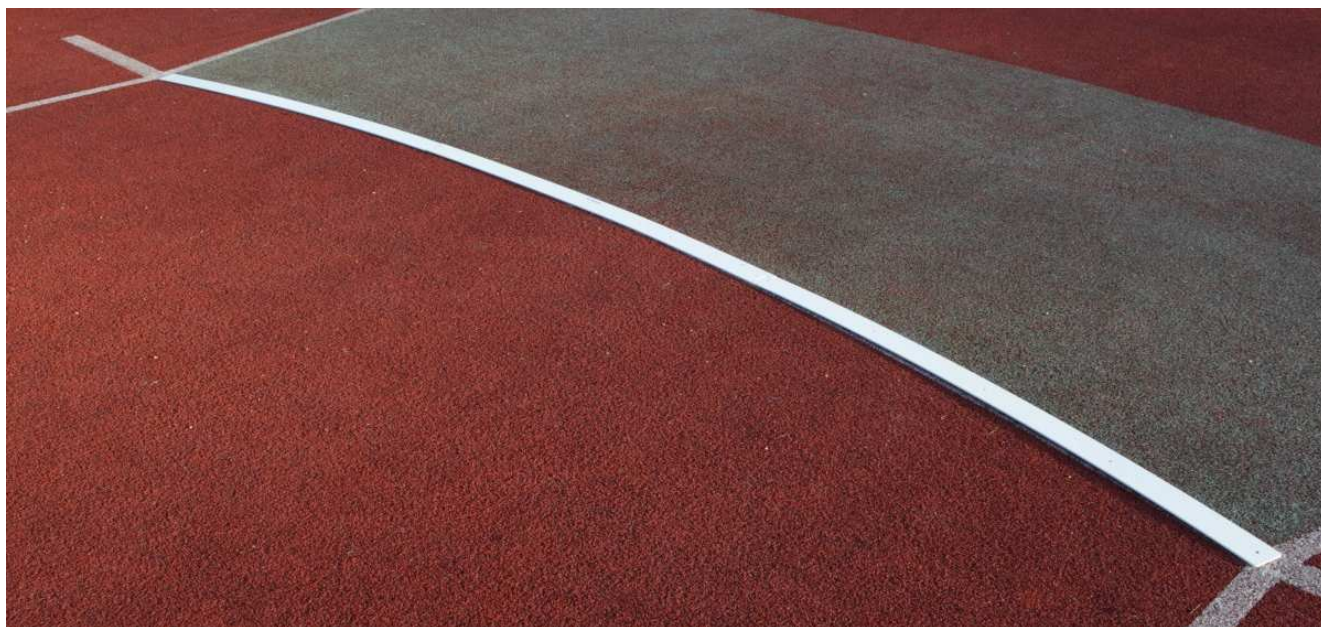
e-mail: info@polanik.com
www.polanik.com



TECHNICAL SPECIFICATION

Javelin stop board

PDO14-S0457



File: 2014-11-13

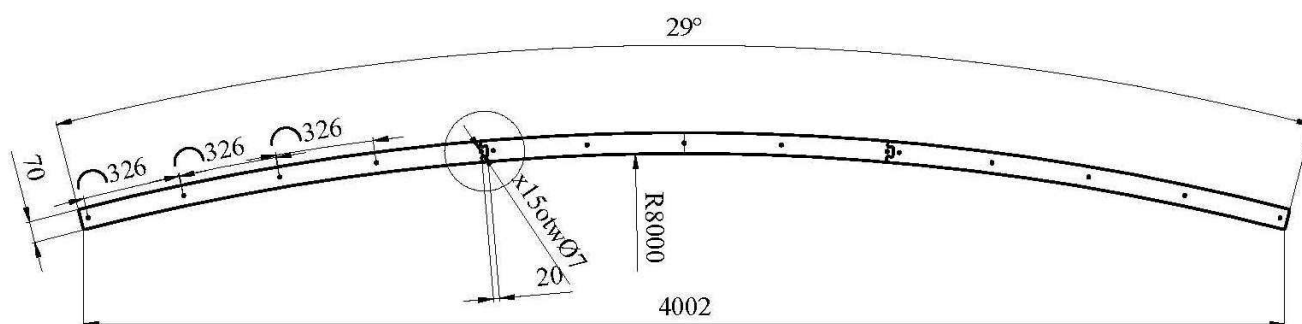
PRODUCT SUPPORT
Paweł Ciechanowski
p.ciechanowski@polanik.com

I. General description

Javelin stop board PDO14-S0457 is designed for installing on a surface of javelin runway facility. It lets you training javelin throwing.

II. Technical specification

Code	PDO14-S0457
Type	training
Width [mm]	70
Radius [mm]	8000
Length [mm]	4060
Number of segments [pcs]	3
Construction	made of steel, galvanized and powder coated in white, assembled by means of single-head feather key
Concrete anchors	15 pcs included
Weight [kg]	10



[mm]



III. Installation

The stop board is fastened to the runway surface with the included concrete anchors. It should be installed on the arc line determined according to the IAAF rules (Rule 187.9, Competition Rules 2014-2015, International Association of Athletics Federations (IAAF), page 205).

IV. Product images



PDO14-S0457 © 2014 Polanik

The producer reserves the right to introduce without warning changes in product constructions and colours.

V. Packing and transport

The segments are foiled and fastened to a pallet.

VI. Declaration

1) No. 2014-11-13

2) Issuer's name: POLANIK

Issuer's address: Życzliwa 11, 97-300 Piotrkow Tryb.

3) Object of declaration:

No.	Description of goods	Code
1	Javelin stop board	PDO14-S0457

4) The object of declaration described above is in conformity with the requirements of:

Articles	Document title	Issuer
Rule 187 Point 9	IAAF Competition Rules 2014-2015	International Association of Athletics Federations 17, rue Princesse Florestine BP 359 – MC 98007 Monaco Cedex Tel. +3377 93 10 88 88 Fax +377 93 15 95 15 www.iaaf.org

Additional Information

5) Declaration for:

Buyer/Distributor/User

Signed for and in behalf of:

POLANIK
2014-11-13 Piotrkow Tryb.
(Date and place of issue)

6) Pawel Ciechanowski
Product Manager

.....
(Name, function)



.....
(Signature or equivalent authorized by the issuer)