

POLANIK  
Poland, Życzliwa 11  
97-300 Piotrków Trybunalski

tel. +48 44 646 44 81  
tel. +48 44 648 50 89  
fax +48 44 646 43 58

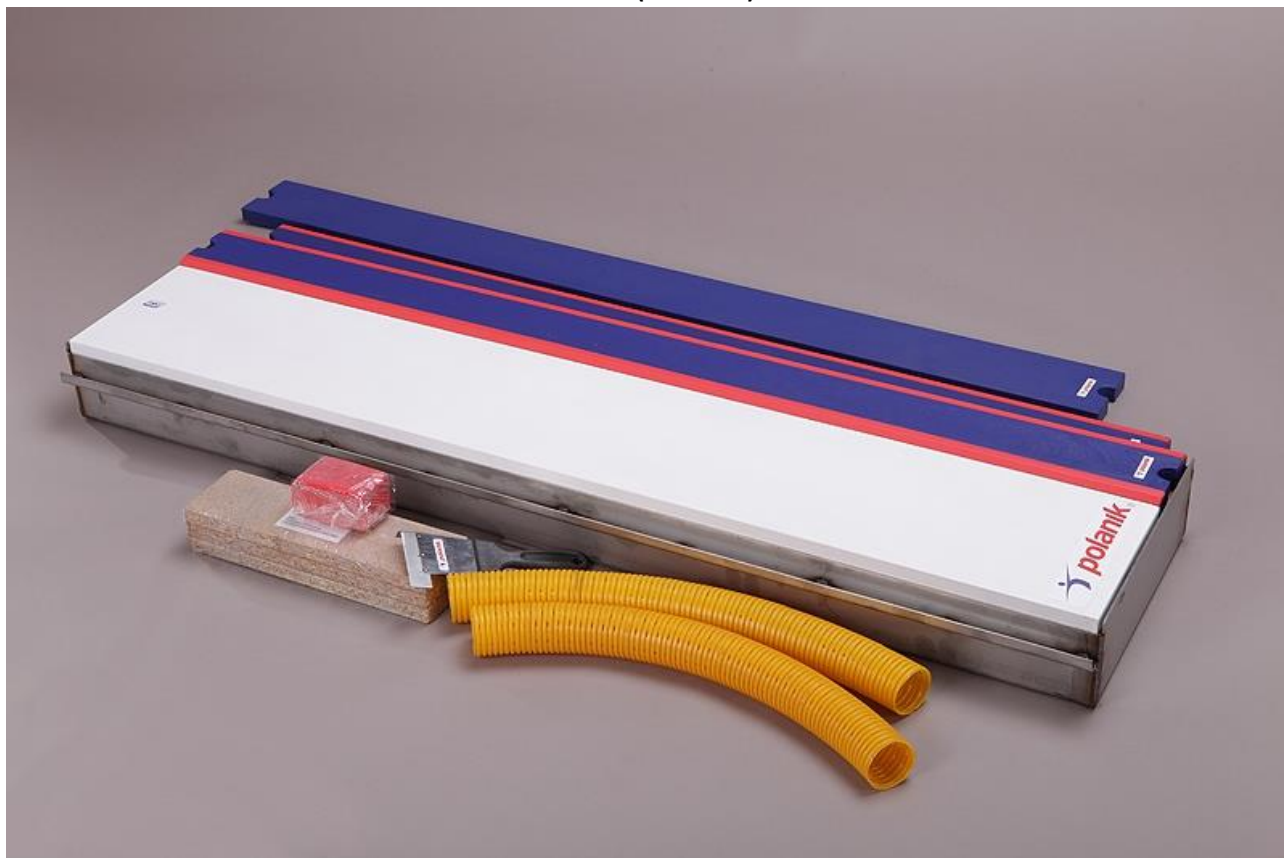
e-mail: [info@polanik.com](mailto:info@polanik.com)  
[www.polanik.com](http://www.polanik.com)



## Technical specification

### Competition take-off board

**S-250 (ver. 2016)**



File: 2017-02-23

PRODUCT SUPPORT  
Paweł Ciechanowski  
[p.ciechanowski@polanik.com](mailto:p.ciechanowski@polanik.com)

**Thank you for choosing Polanik competition take-off board.**

## Contents

Chapter	Page
I. General characteristics	2
II. Parts list (part sets)	3
III. Packing and transport	4
IV. Additional equipment, available separately	5
V. Drawings: dimensions and installation	6
VI. IAAF certificate	7

### I. General characteristics

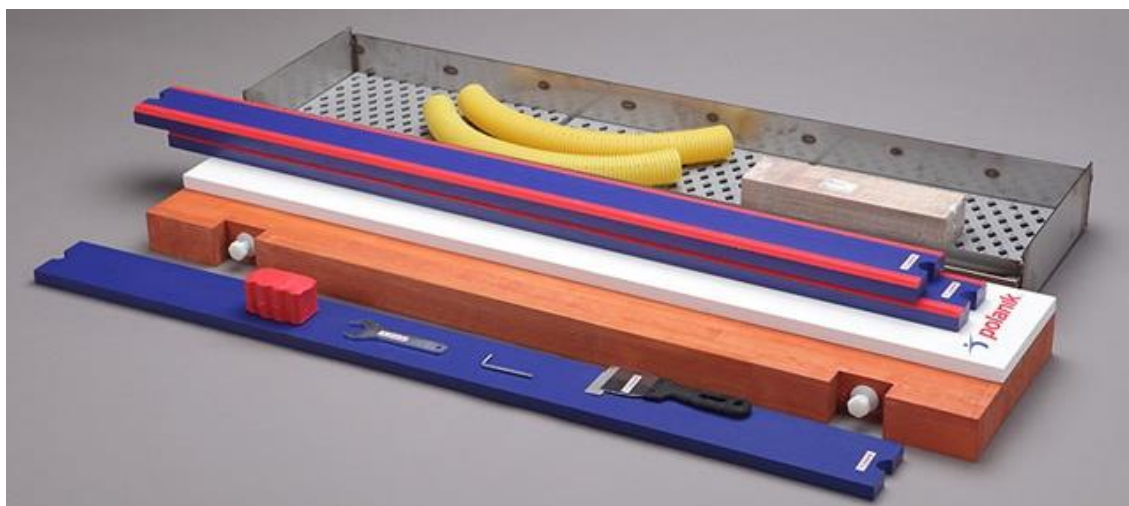
The take-off board S-250 is designed for conducting sports events and training programs of horizontal jumps.

Main features of the take-off board:

- construction according to the latest safety recommendations – no metal elements in take-off zone, so foundation tray with lowered edges covered by synthetic surface and white take-off board fastened from the bottom side, no screws on top






- innovative construction – constituted by elements which are easy to assemble, transport and store
- easy operating – fast assembly and disassembly processes, which take 15 minutes approx., can be done by one person provided that the foundation tray is already embedded in the track,
- high durability and quality – foundation tray made of stainless steel does not require additional maintenance actions, other elements are made of plastic, waterproof plywood and impregnated wood, the take-off board meets the international quality standards
- fast replacement of wearing parts and elements



## II. Parts list (part sets)

Item	Part/set description	Q-ty pcs	Part/set sketch
1	Stainless steel foundation tray (lowered edges) with accessories for concreting (draining tubes and spacing boards) <b>K3-250</b>	1	
2	Wood base board <b>S-250-01-01</b>	1	
3	White board for take-off board with wood screws <b>K1-250</b>	1	
4	Indicator plasticine board <b>S-250-02-00</b>	2	
5	Training indicator board without plasticine <b>S-250-02-03</b>	1	
6	Plasticine 300 g <b>S-250-02-01</b>	1	





Item	Part/set description	Q-ty pcs	Part/set sketch
7	Plasticine forming knife <b>S-250-06-00</b>	1	
8	Wrench - to block the supporting board in the tray <b>S-0250-000-00-08-00</b>	1	
9	Draining plastic grid <b>S-250-03-00</b>	3	

### III. Packing and transport

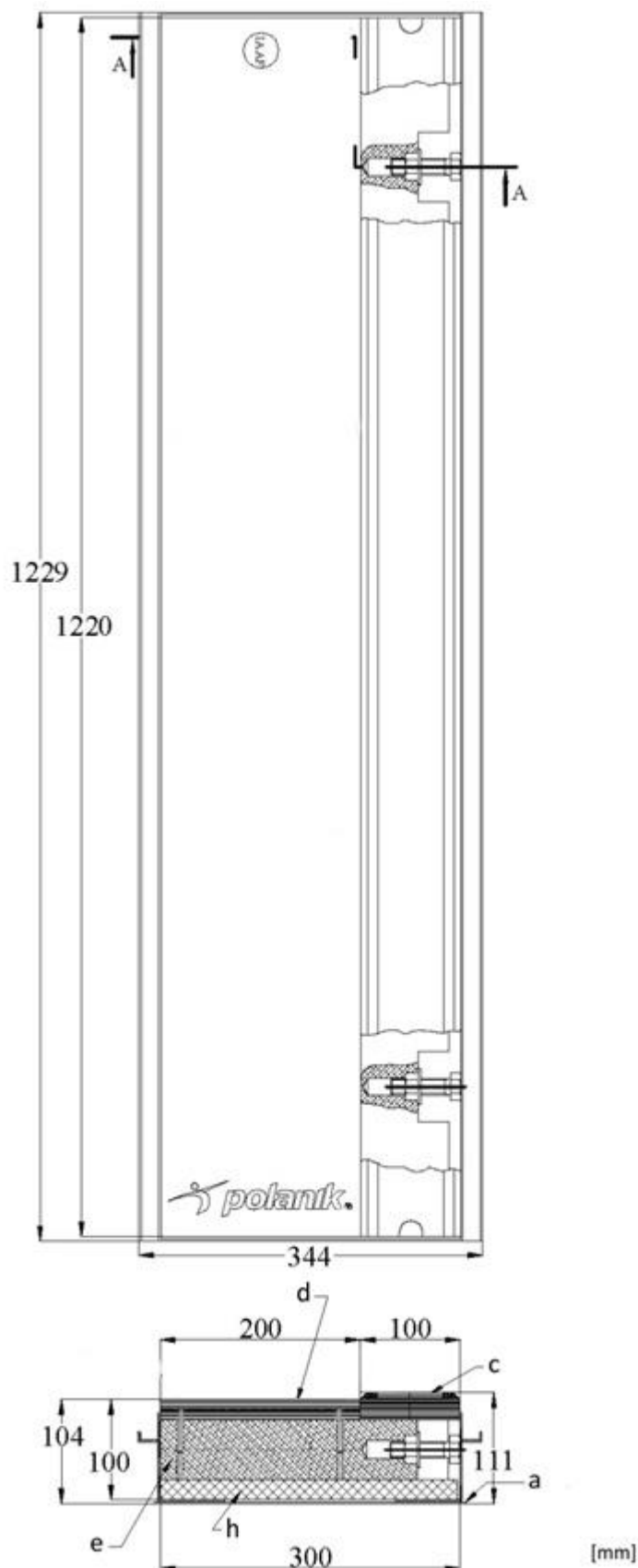
The product is packed a flat carton box.

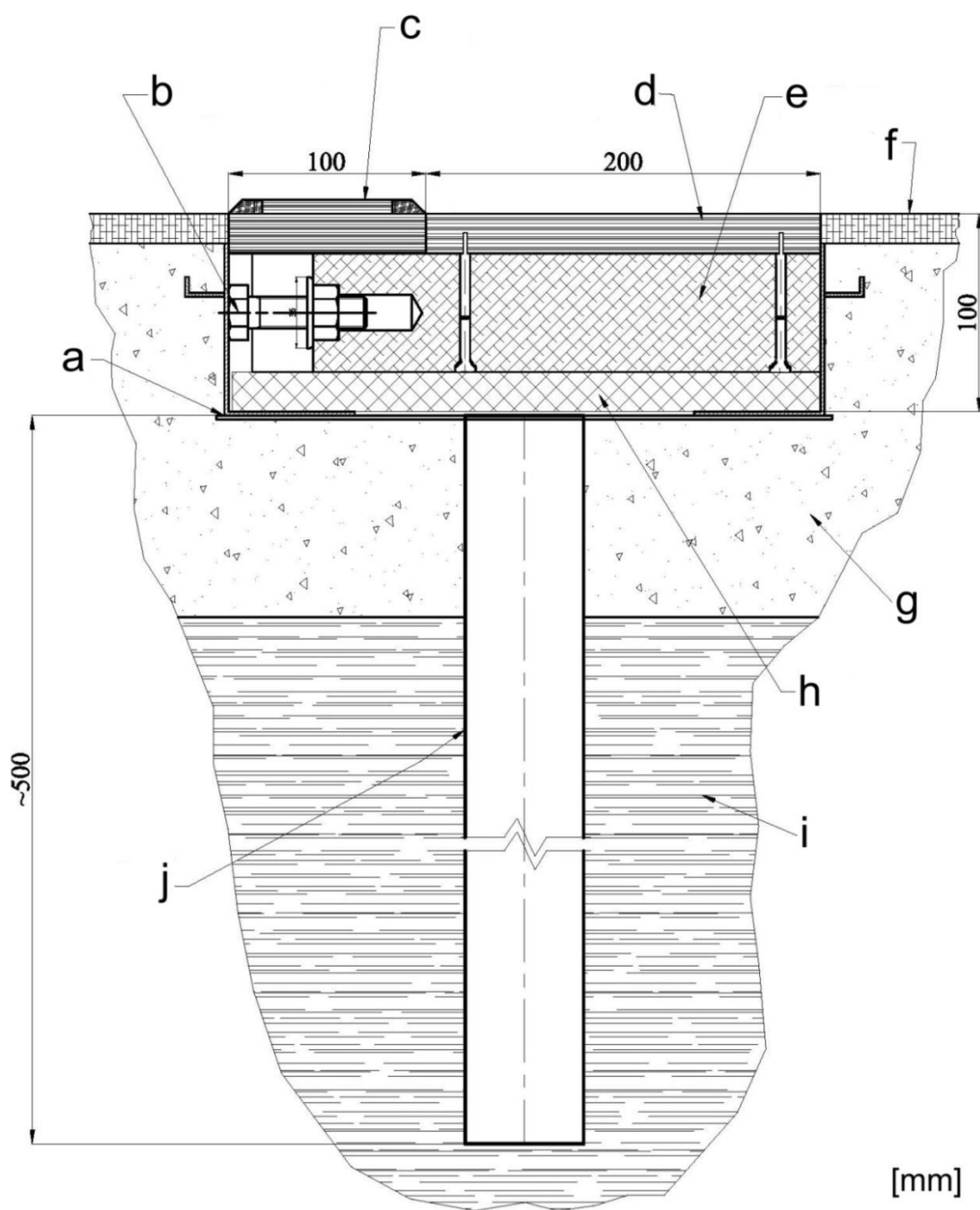
Way of packing	Carton box
Contents	1 set S-250
L length [mm]	1225
B width [mm]	380
H height [mm]	172
Gross weight [kg]	31

#### IV. Additional equipment, available separately

Item	Part/set description	Part/set sketch
1	<p>Stainless steel cover for competition take-off board</p> <p><b>PBN-S0250</b></p> <p>Stainless steel cover for take-off competition boards, secures the inside of the board tray, smooth surface and 6 adjustable feet (in the range of 20 mm) for installing synthetic track, strong ribbed construction. Designed for sticking tartan.</p>	
2	<p>Stainless steel cover with edges for competition take-off board</p> <p><b>PBN14-S0250</b></p> <p>Stainless steel cover for take-off competition boards, secures the inside of the board tray, special edges for installing synthetic surface, 6 adjustable feet (in the range of 20 mm), strong ribbed construction, equipped with edges to facilitate application of tartan.</p>	
3	<p>Plasticine straps for indicator board</p> <p><b>P8x31</b></p> <p>Set of 8 red plasticine straps, specially shaped, ready to be put into the indicator board recess, designed for Polanik competition take-off boards</p>	
4	<p>Rubber indicator board for competition board</p> <p><b>LG15-250</b></p> <p>Black full rubber indicator board designed for training</p>	

## V. Drawings: dimensions and installation





- a – stainless tray (item 1)
- b – adjusting bolt
- c – plasticine indicator board (item 4)
- d – white take-off board (item 3)
- e – base board (item 2)
- f – athletics synthetic surface
- g – concrete
- h – plastic grid (item 9)
- i – ground
- j – draining tube



## VII. IAAF certificate



# Product Certificate

*The IAAF is pleased to certify hereby  
that the following product:*

**Product's Trade Name:** Fixed equipment, Take-off board, Competition

**Description, Colour / Absolute Thickness:** Wood/plywood, White/dark blue

**Company Name, Country:** Polanik Sp. z o. o. - Sp. K., POL

**Catalogue Number:** S-250

**IAAF Certification Number:** E-06-0433

meets the dimensional requirements for use in all international athletics competitions.

It is for the purchaser to determine the item's fitness for the purpose based on his knowledge of the local conditions and use.

**Valid from:** 1 May 2014

**Until the last day of:** May 2018

This certificate is issued in accordance with the terms and conditions of the IAAF Certification System of track and field facilities, implements and competition equipment.



**ESSAR GABRIEL**  
IAAF General Secretary



**JORGE SALCEDO**  
IAAF Technical Committee Chairman

