

POLANIK
Poland, Życzliwa 11
97-300 Piotrków Trybunalski

tel. +48 44 646 44 81
tel. +48 44 648 50 89
fax +48 44 646 43 58

e-mail: info@polanik.com
www.polanik.com



INSTRUCTION MANUAL

Base pads for training pole vault stands

OP-S293

POLANIK, ul. Życzliwa 11, 97-300 Piotrków Trybunalski
tel.: +48 (44) 646-44-81, gsm: +48 (0) 601-082-764, fax: +48 (44) 646-43-58,
e-mail: info@polanik.com, www.polanik.com
EU VAT no.: PL7712594181, register no.: KRS 0000156204,
Register Court: Sąd Rejonowy dla Łodzi-Sródmieścia w Łodzi, XX Wydział KRS

File: 2014-07-18

PRODUCT SUPPORT
Paweł Ciechanowski
p.ciechanowski@polanik.com

Thank you for choosing POLANIK base pads.

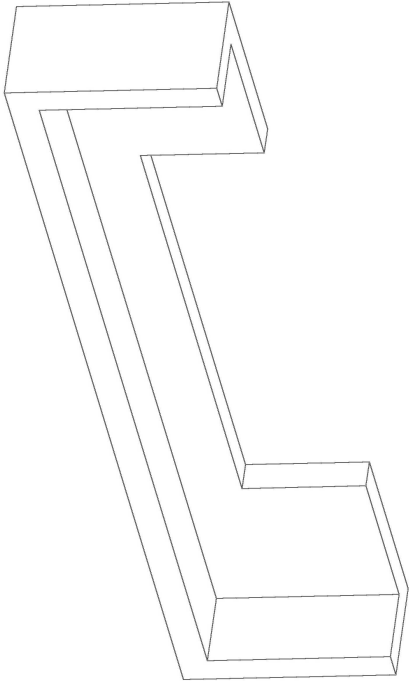
Contents

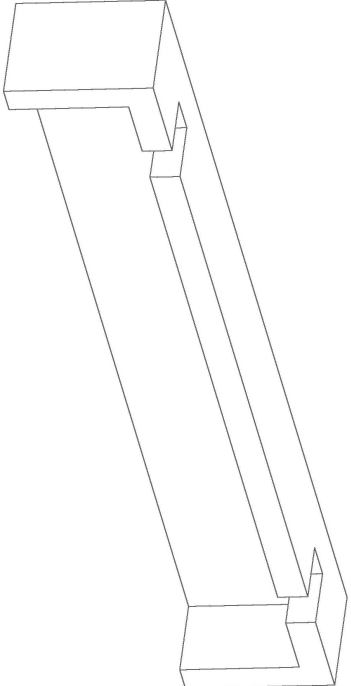
Chapter	Page
I. General description	3
II. Technical specification	4
III. Installing the pads	4
IV. Operating	4
V. Maintenance	4
VI. Storing	4



I. General description

POLANIK set of base pads OP-S293 is a piece of top quality sports equipment which is designed to protect jumpers from injuries. If a jumper hits the stand base while jumping, the base pads are to absorb the impact energy. The set includes:

Part/set description	Q-ty Pcs	Part/set sketch
Element A	2	

Part/set description	Q-ty Pcs	Part/set sketch
Element B	2	

II. Technical specification

Code	OP-S293
Dimensions length / width / height/thickness [mm]	1620/610/180/50
Set weight [kg]	9
Number of set segments [pcs]	4
Segment covering	PVC, made of polyester with two vinyl layers
Internal structure	high quality PUR foam
Way of segment linking	Velcro® belts

III. Installing the pads

Position one element A and one element B near the stand base.



Put the elements on the stand base.



Press the elements towards each other.



IV. Operating

Treading or stepping on the pads is strongly prohibited except from emergency situations.

V. Maintenance

Due to the hygiene requirements it is recommended that the elements should be cleaned regularly with commonly available detergents. Before you start wiping the pad, please try to clean a small spot on its bottom side in order to check the reaction with the PVC fabric.

VI. Storing

You must not put any tables, chairs, benches or any other objects on the pads. The elements cannot be bent or pressed by any objects during storing. That may deform the pads permanently. A storing facility should be clean and dry. It ought to provide min. temperature 5° C.

Even the best technical solutions cannot substitute for common sense. The usage of the product must take place under the supervision of qualified coaches. The producer shall not be liable for any incidents caused by the improper assembly or its misuse. The producer reserves the right to introduce without warning changes in product constructions and colours.